

**M<sup>2</sup>ODERN EXPO**

---

**BAKERY**

#newretail equipment

VOLOKNO

---



# Volokno family

The baking area is a place where customer's trust is creating. It is the atmosphere for further purchases.

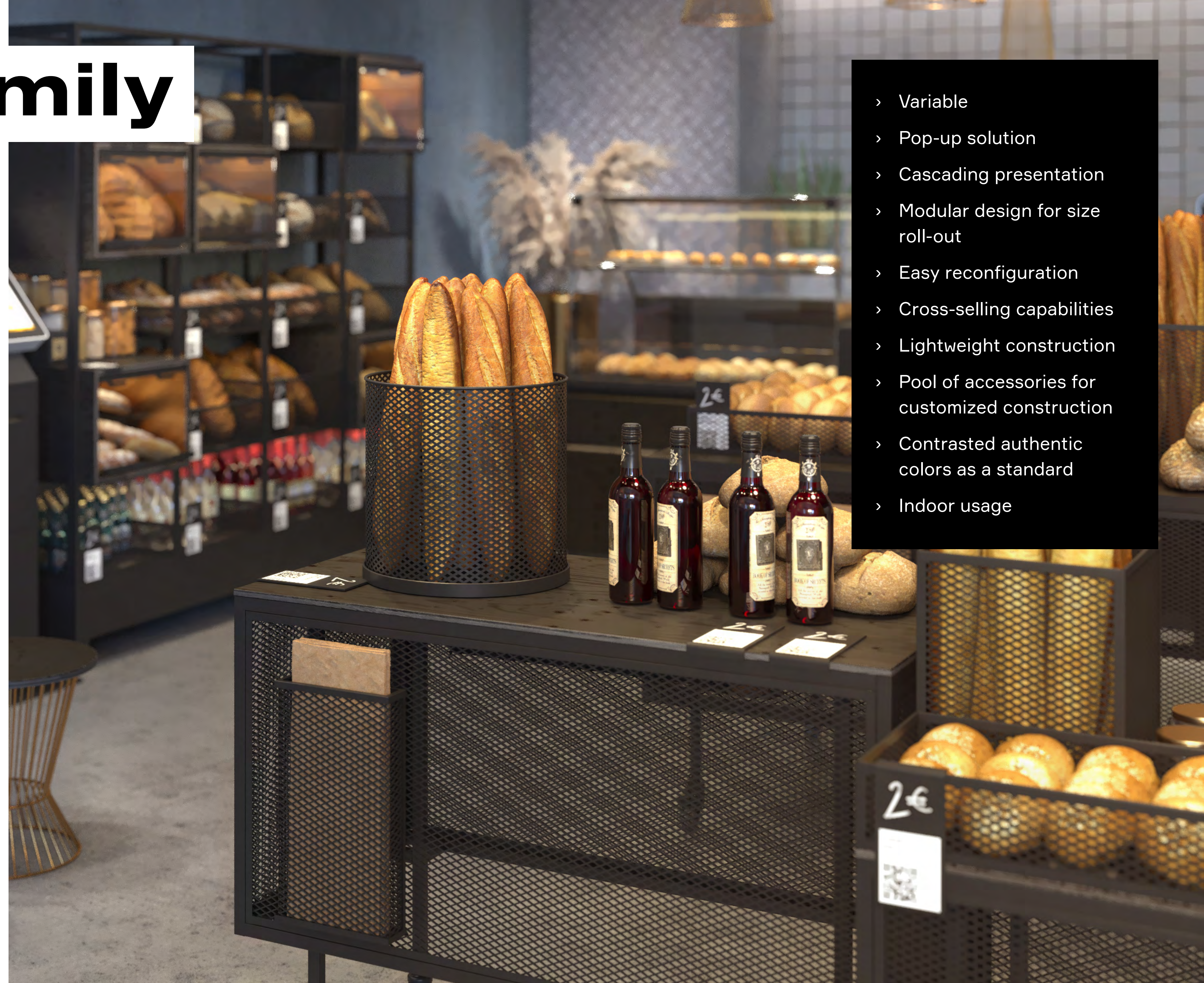
Volokno is designed with hospitality and with the importance of bread as a symbol of prosperity in mind.

Simple and familiar shapes of modules provide wide opportunities for storage and demonstration of bread products

We have expounded woven fabric into industrial mesh around modules. At the same time, the mesh tablecloth is a functional element which allows to place various accessories.

Volokno family consists of 3 types of modules and wide range of additional accessories, that give plenty of abilities to create various customized designs.

- > Variable
- > Pop-up solution
- > Cascading presentation
- > Modular design for size roll-out
- > Easy reconfiguration
- > Cross-selling capabilities
- > Lightweight construction
- > Pool of accessories for customized construction
- > Contrasted authentic colors as a standard
- > Indoor usage





# Shafa

Universal shelving with front or back filling

# Stil

Simple and familiar exposition block

# Vozyk

Dynamic and compact shelves display

Click the name to get details

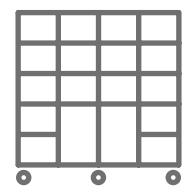




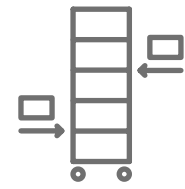
# Shafa

Universal shelving with front or back filling

Display your bakery products in various combinations



Multi-level exposition



Filling from front or back



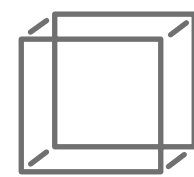
Wall / free standing unit



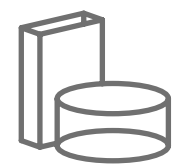
Mobile / Stationary



Automatic closing door shelves



Folding frame base



Pool of accessories for adjustable construction



## Size

Shafa Stationary  
1940x420x1888

Shafa Mobile  
1940x420x1851

## Materials

metal square pipe

metal sheet

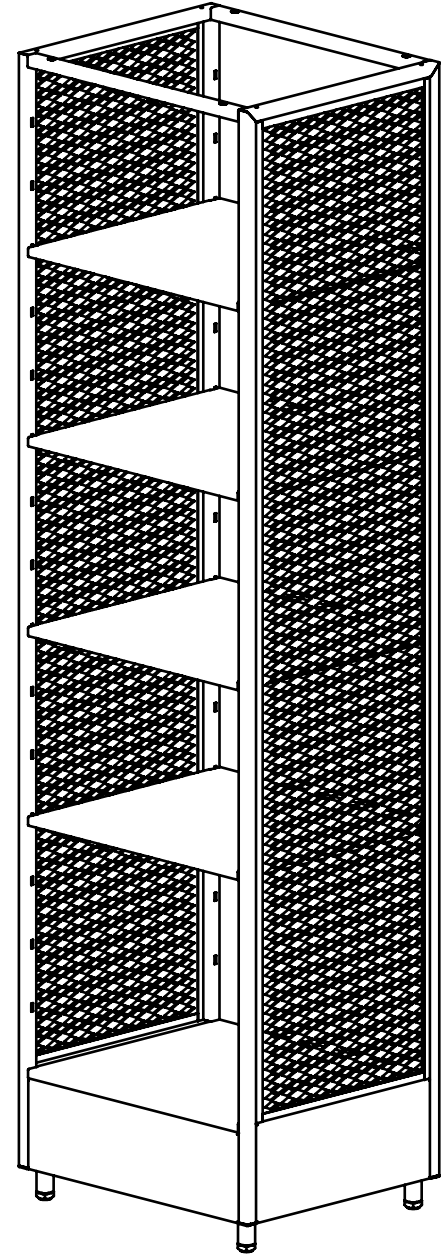
mesh



# Customize your Shafa

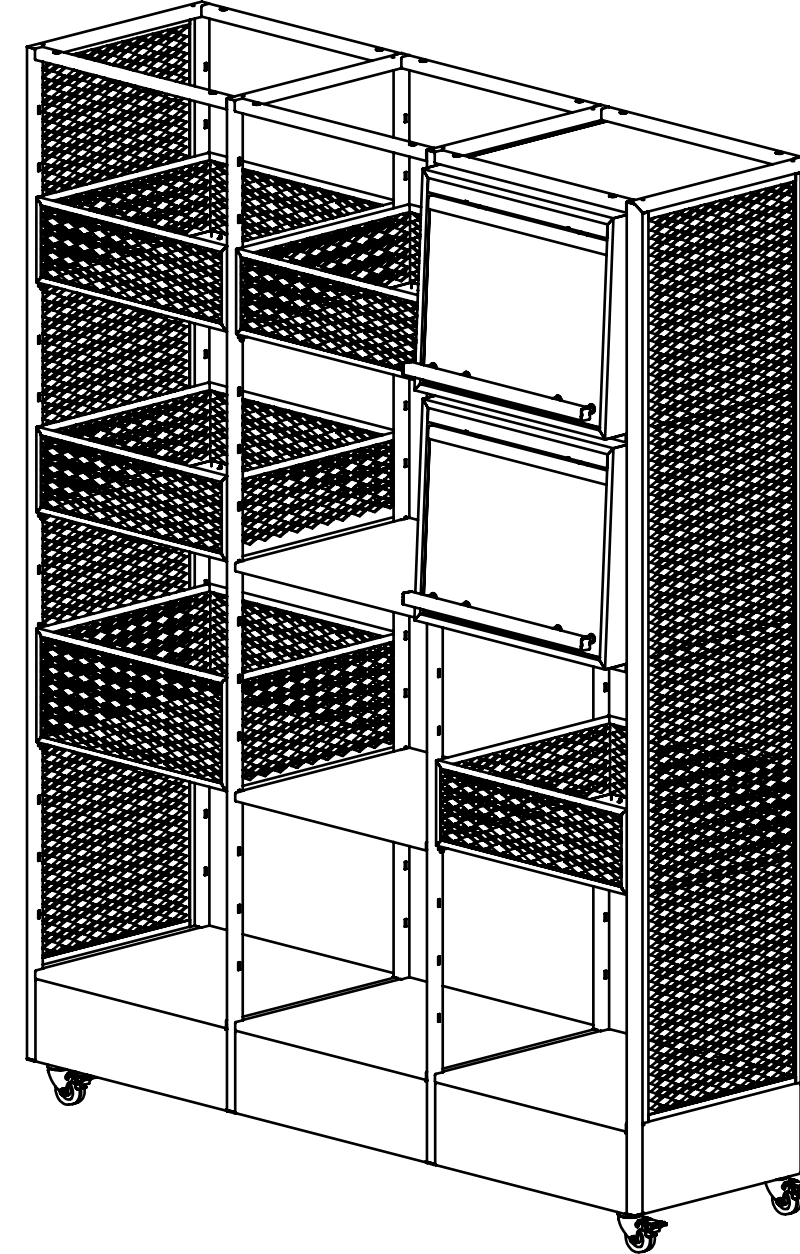
Examples of sets

## BASIC



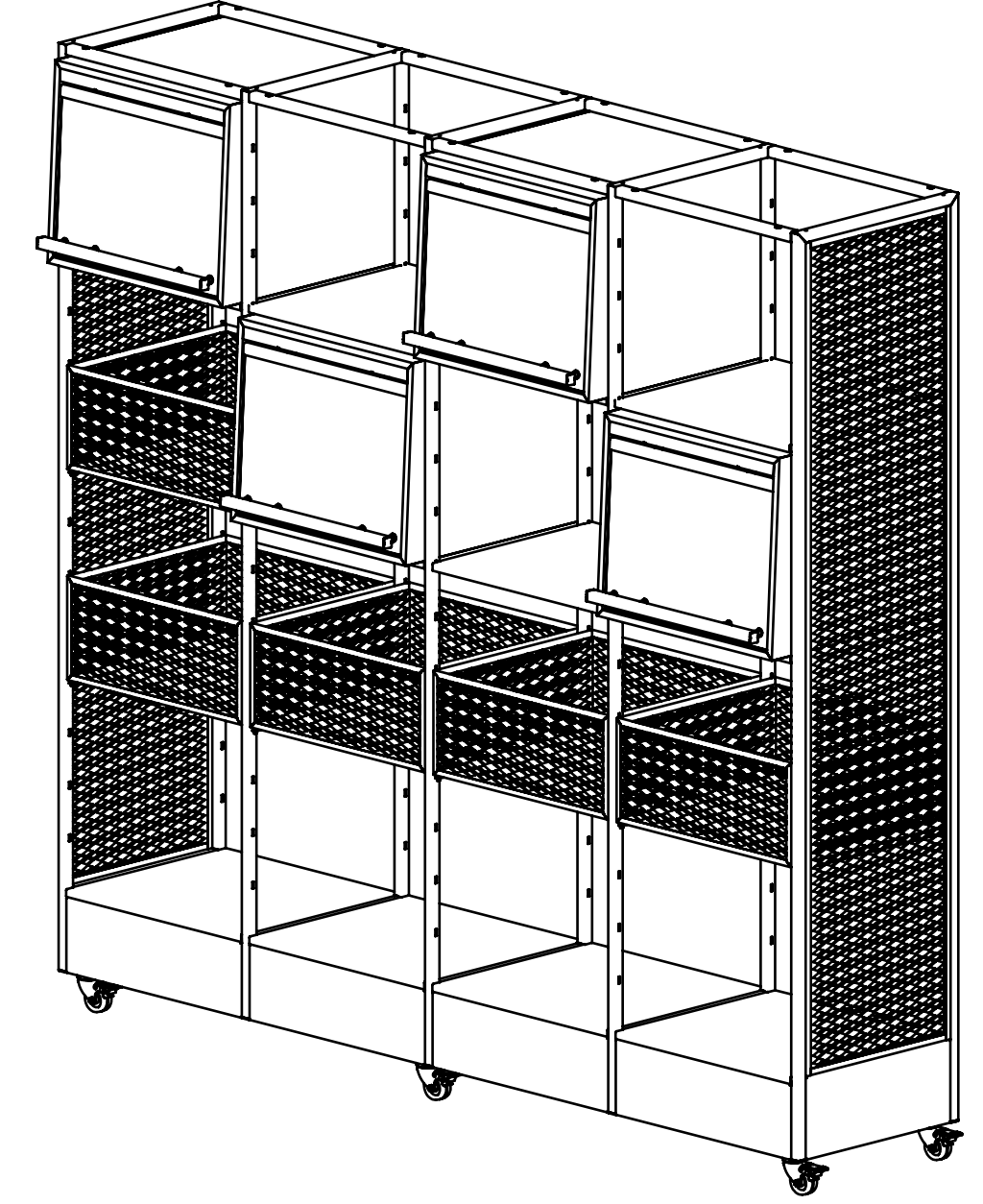
- 1 Basic section Shafa Stationary — 1
- 5 Sidewall Shafa — 1
- 9 Insert adjustable — 4
- 12 Metal wide shelf — 4
- 13 Bracket — 8

## EXTRA



- 3 Basic section Shafa Mobile — 1
- 4 Extension section Shafa Mobile — 2
- 5 Sidewall Shafa — 1
- 10 Wheel with stopper — 4
- 12 Metal wide shelf — 4
- 13 Bracket — 8
- 14 Basket 460x420x150 — 4
- 15 Basket 460x420x200 — 1
- 16 Shelf Shafa with lift up door — 2

## ADVANCED



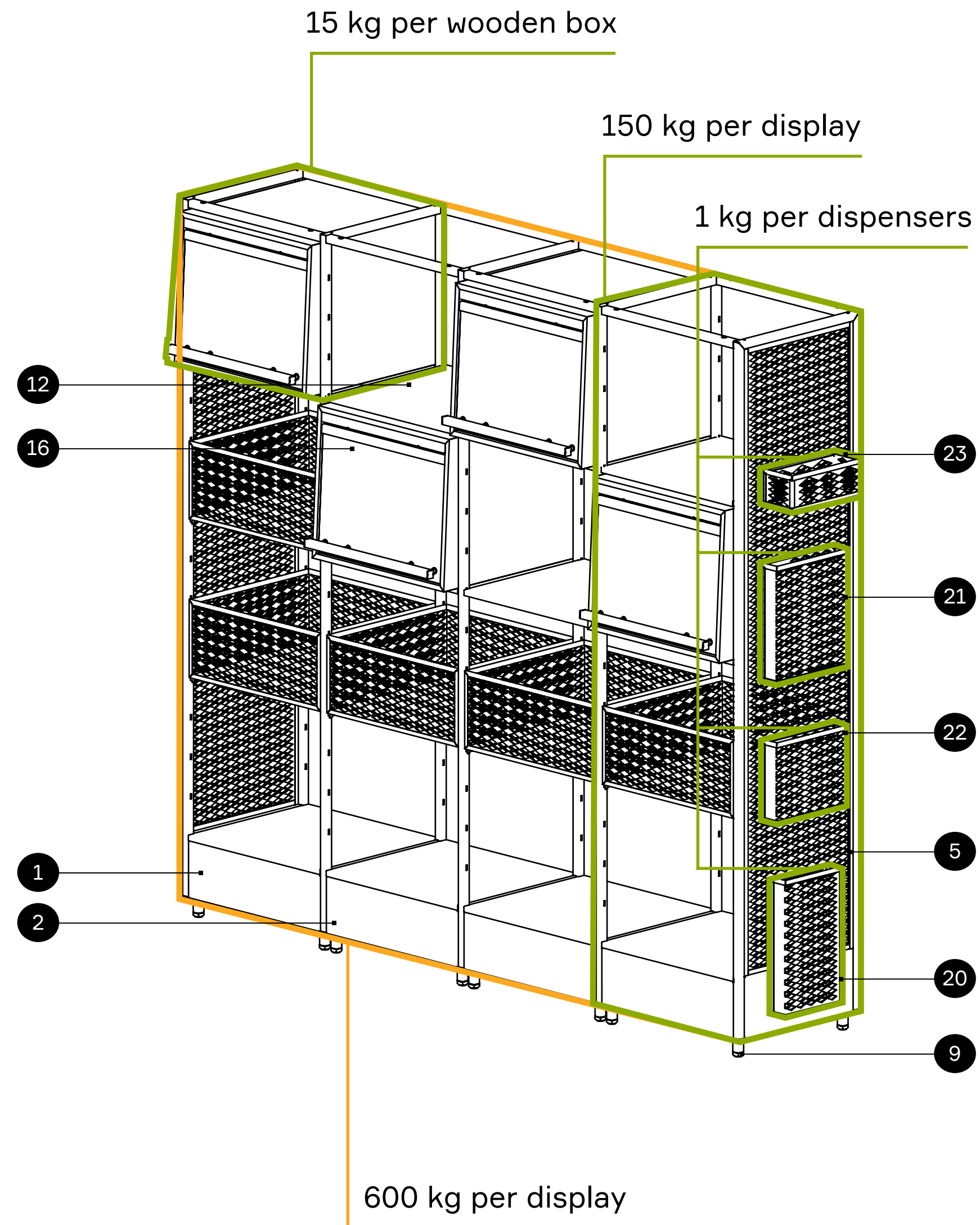
- 3 Basic section Shafa Mobile — 1
- 4 Extension section Shafa Mobile — 3
- 5 Sidewall Shafa — 1
- 10 Wheel with stopper — 6
- 12 Metal wide shelf — 7
- 13 Bracket — 14
- 15 Basket 460x420x200 — 5
- 16 Automatic-closing door Shelf — 4

Click the number to get details

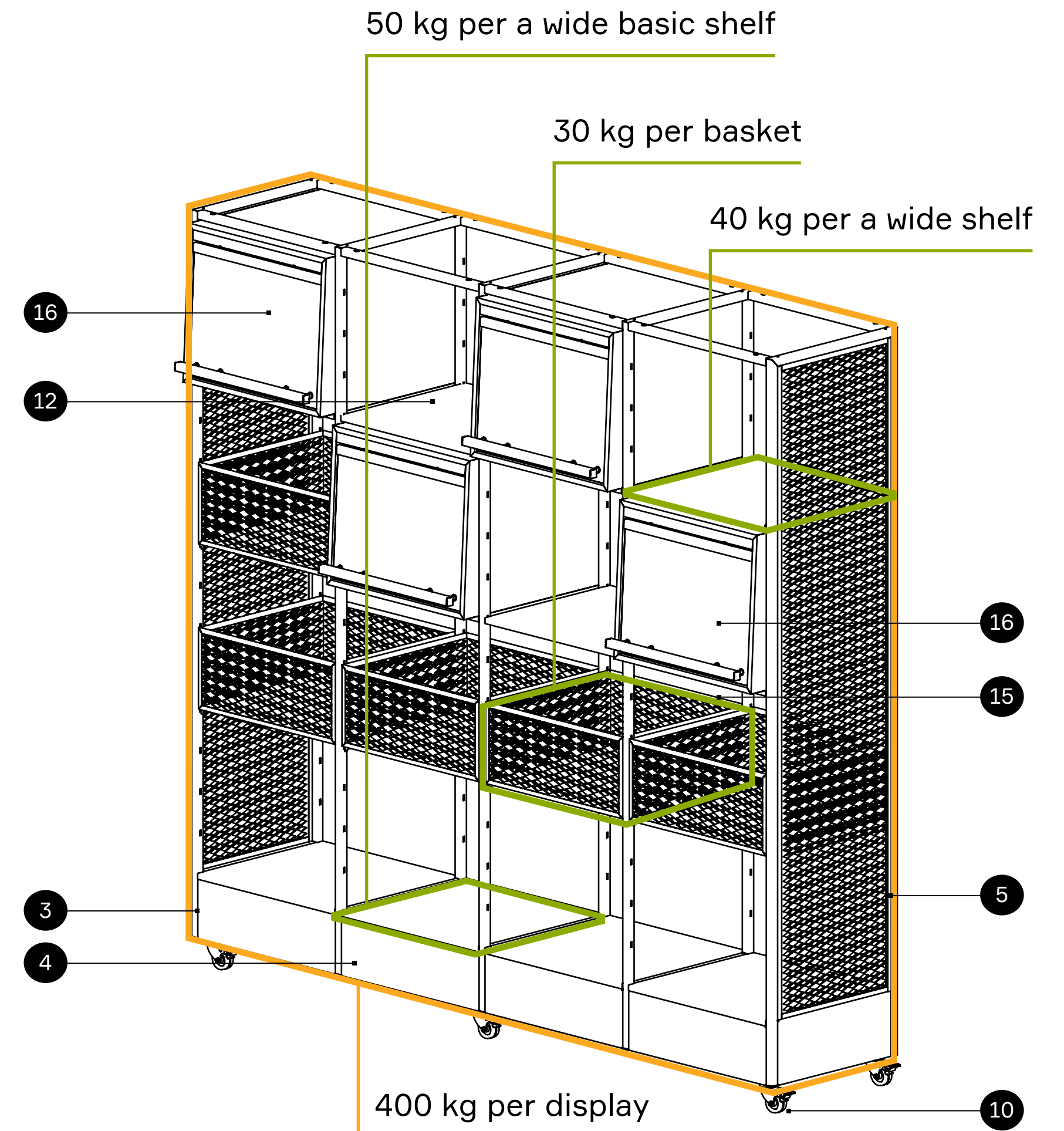


# Structure of Shafa & Load capacity

Shafa Stationary



Shafa Mobile



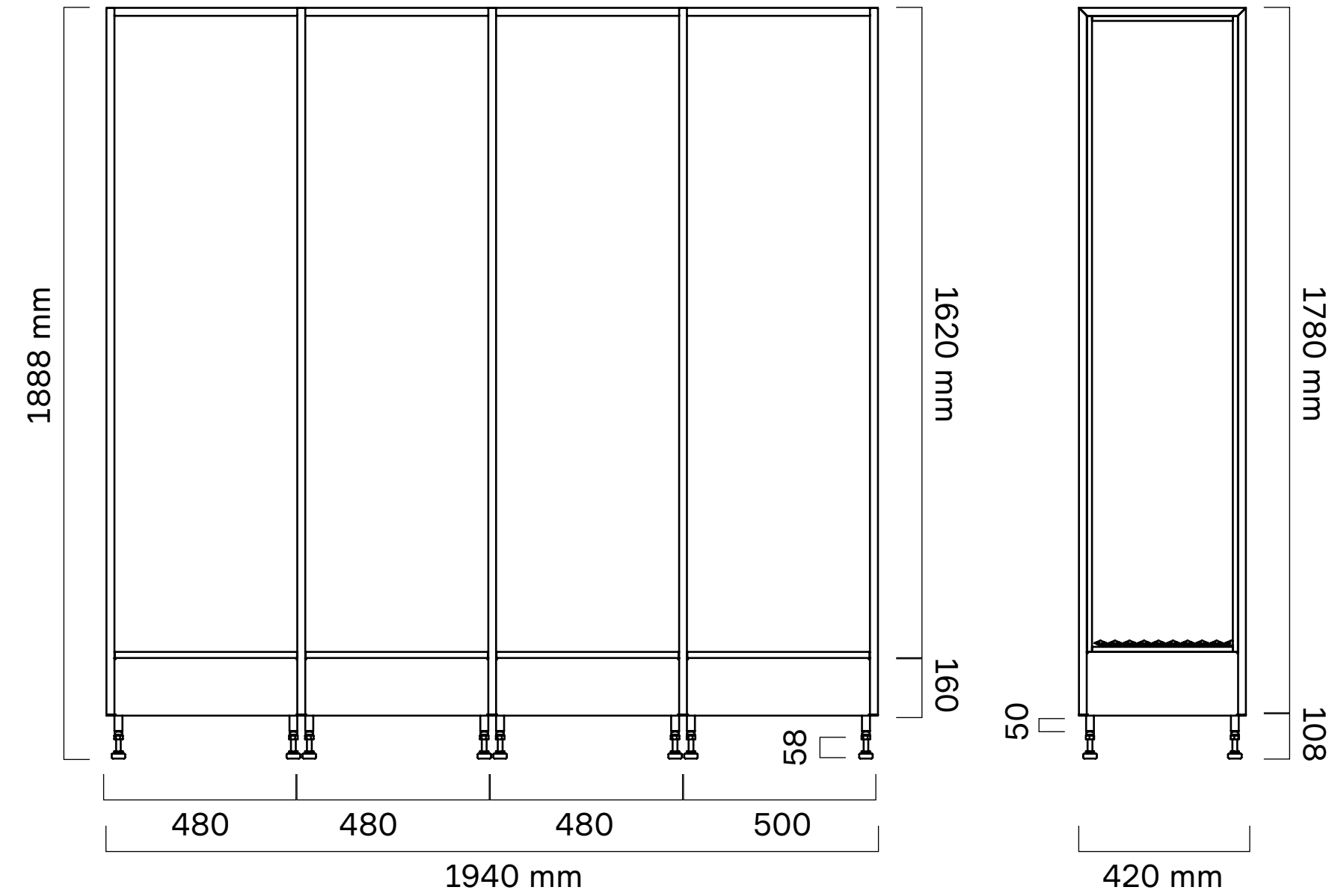
Click the number to get details

Quantity of wheels:  
 1-3 sections — 4 pcs.;  
 4+ sections — 4 pcs. for basic and last extension sections + 2 pcs. for every 2 middle extension sections.

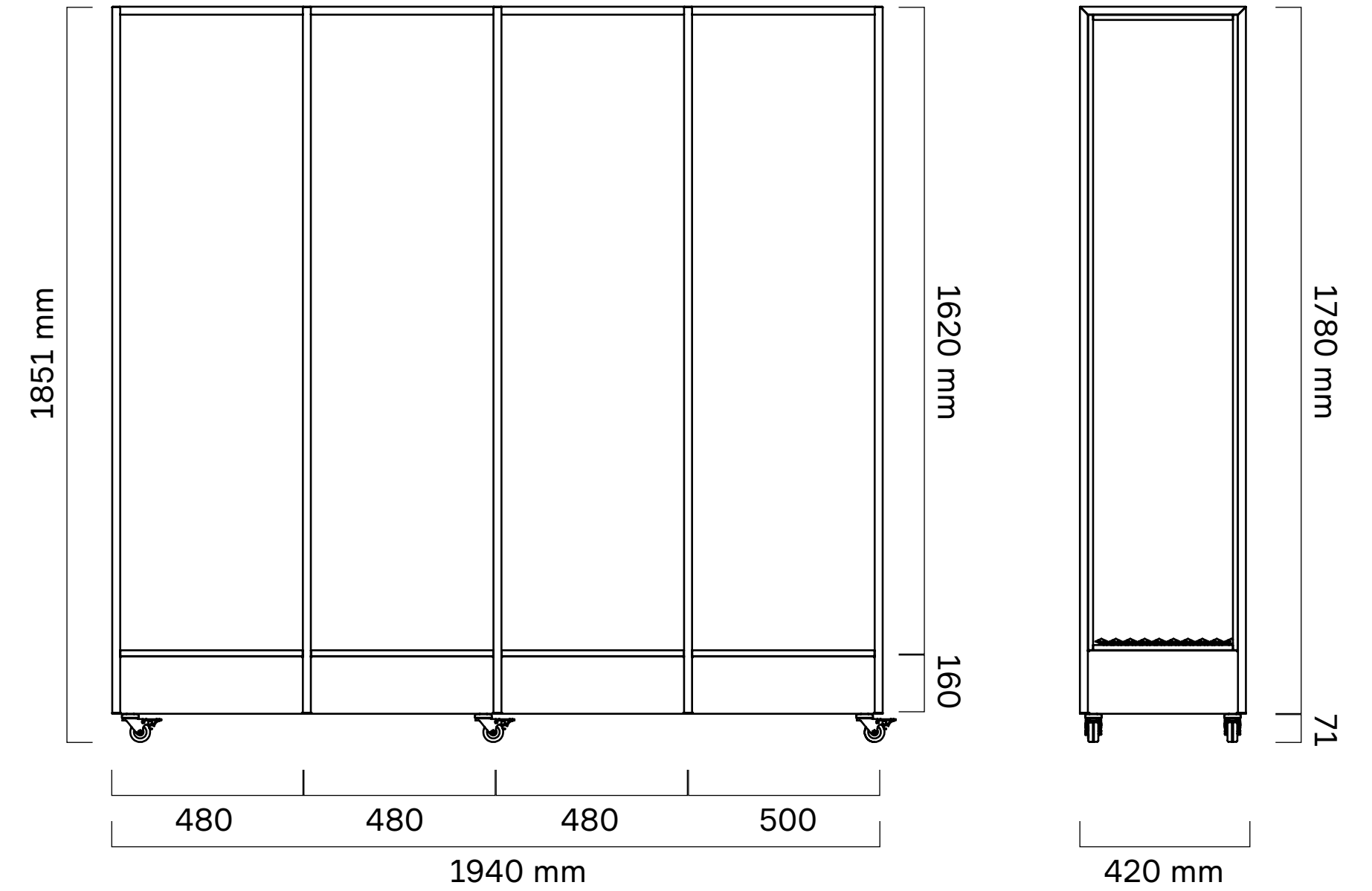


# Technical details

Shafa Stationary



Shafa Mobile

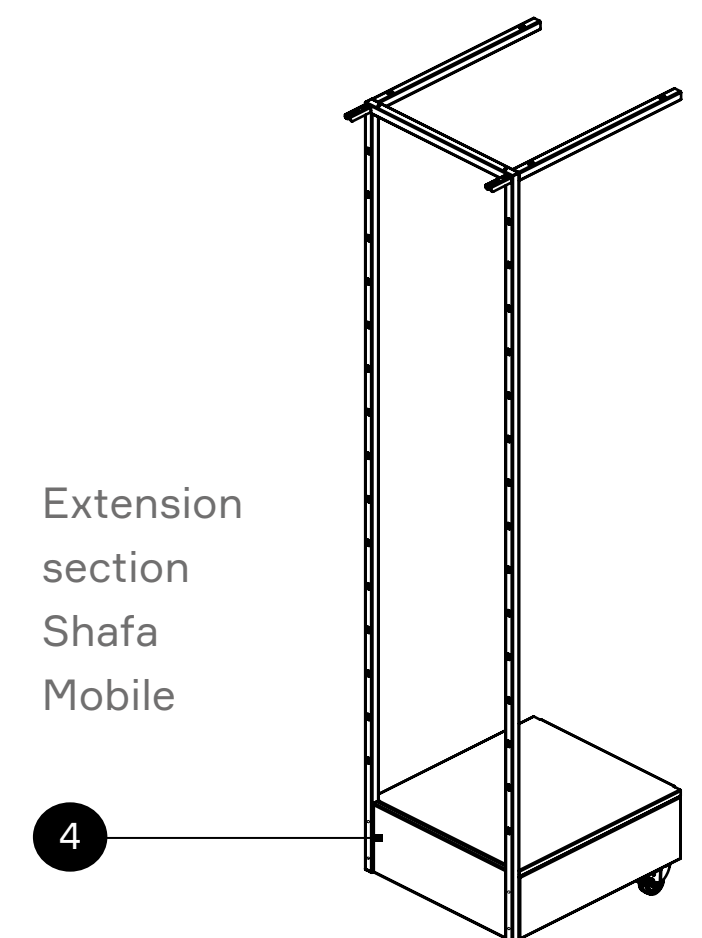
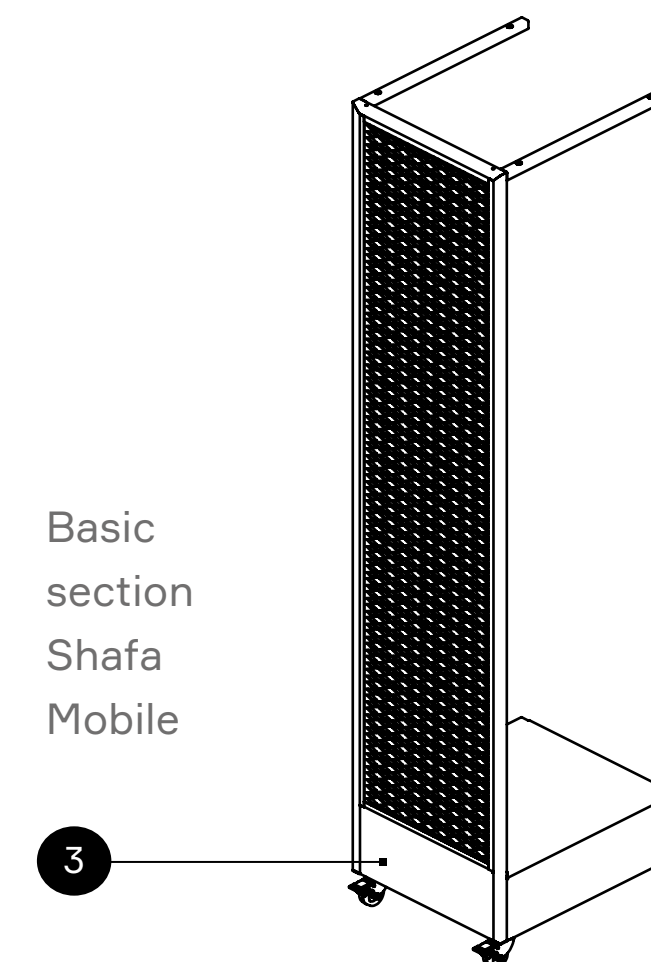
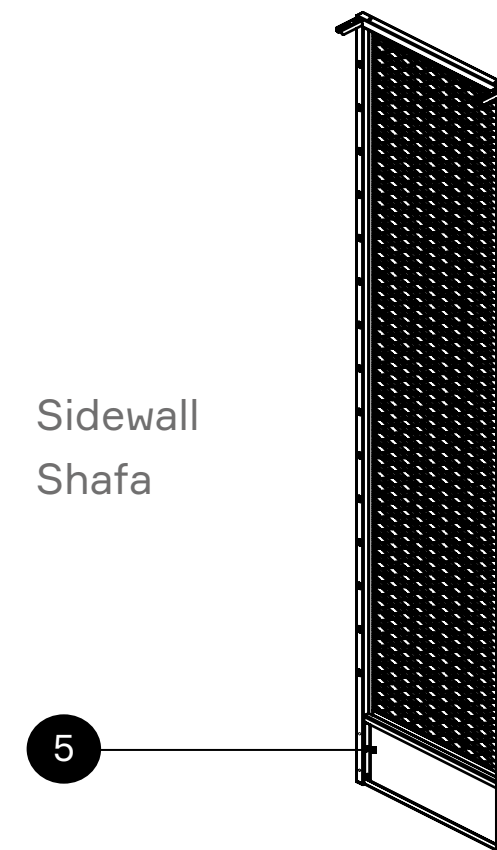
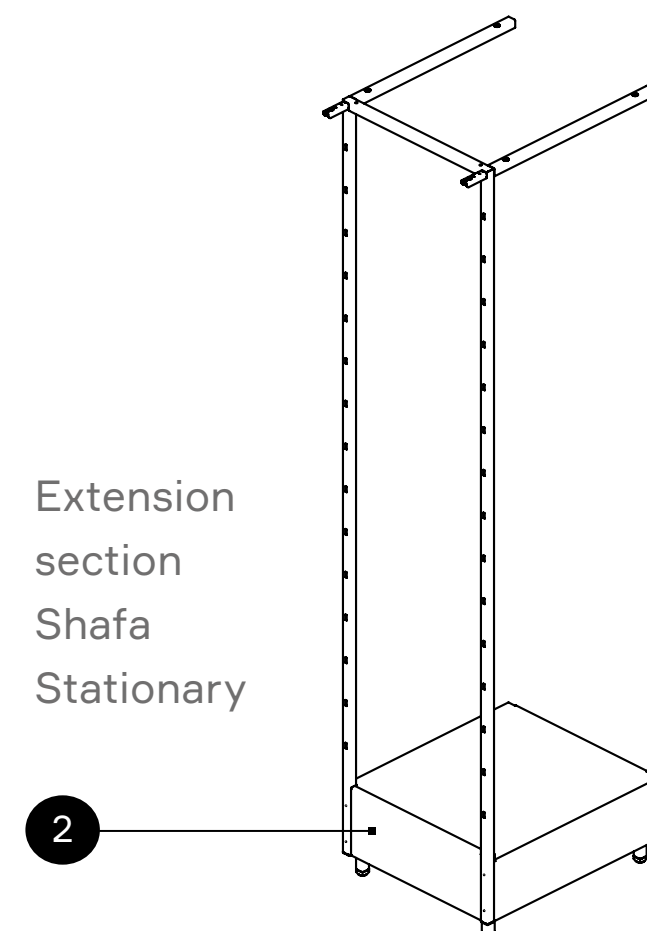
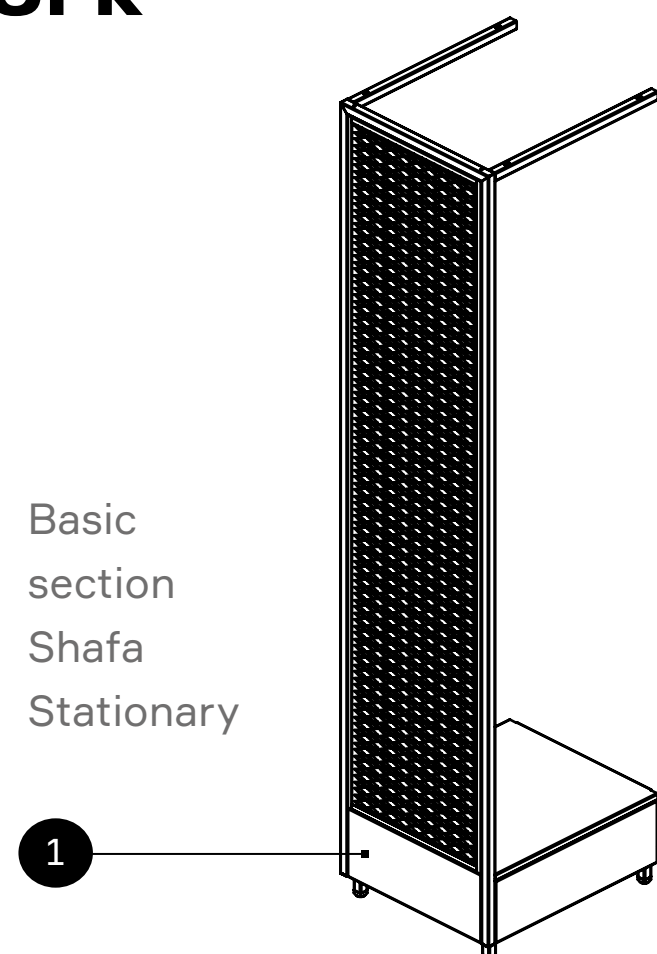


Click the number to get details

# Folding framework

The only thing you need for bringing the framework together is cruciate screwdriver

Easy to assemble. Easy to disassemble. Easy to store





# Stil

Simple and familiar exposition block

Encourage emotional contacts with your customers

## Size

Stil L

2000x1000x780

Stil S

750x750x640

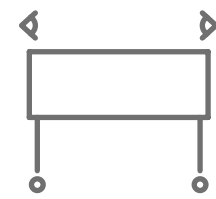
## Materials

metal square pipe

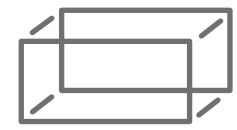
plywood

mesh

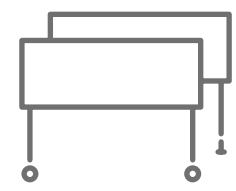
## Stil L & Stil S



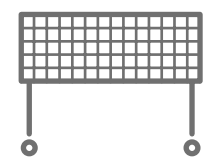
360°  
presentation



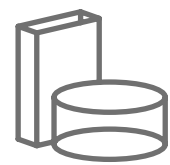
Folding frame  
base



Mobile /  
Stationary



Functional mesh  
sidewalls



Pool of accessories  
for cross-selling



Easy  
cleaning

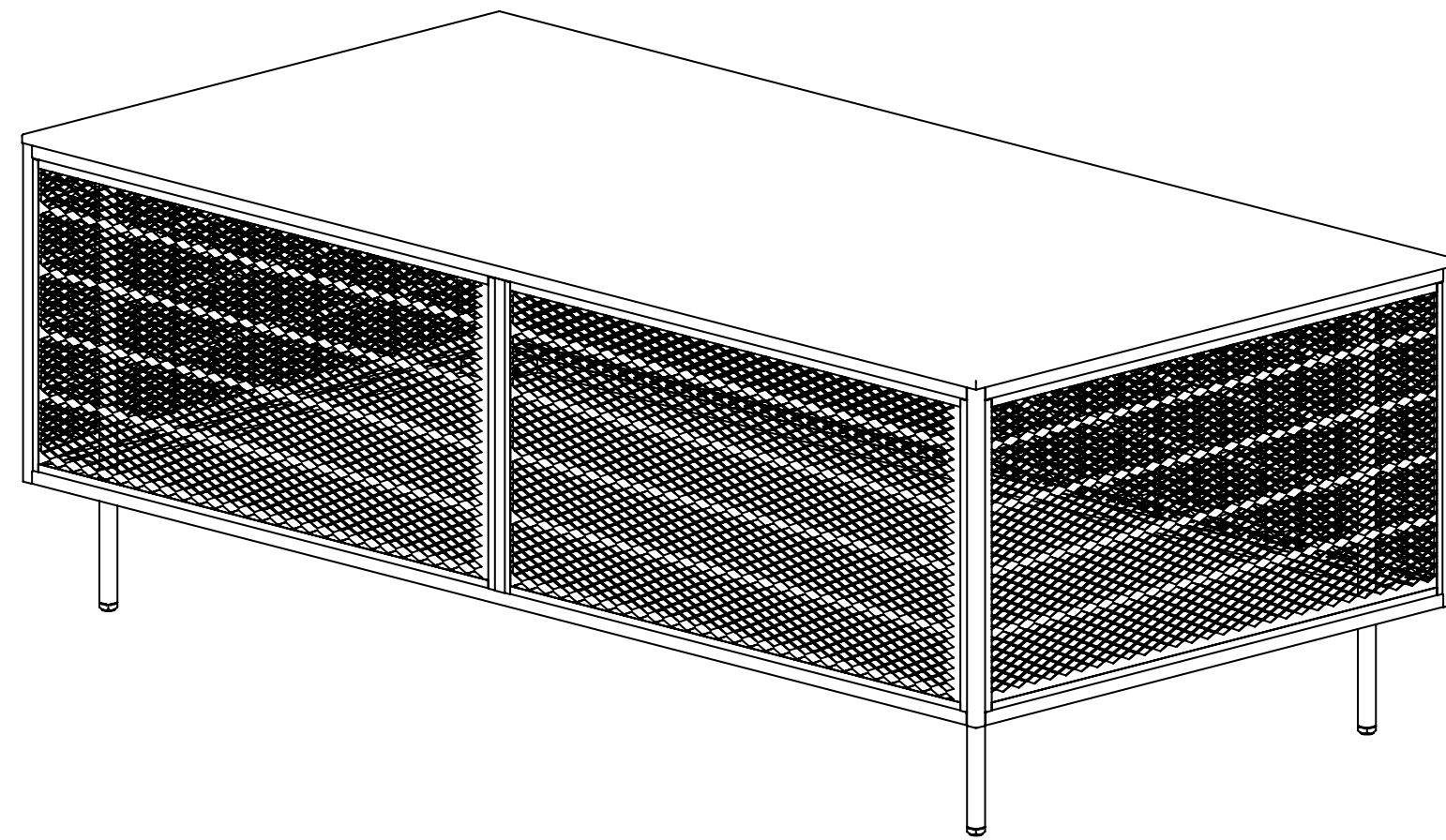




# Customize your Stil L

Examples of sets

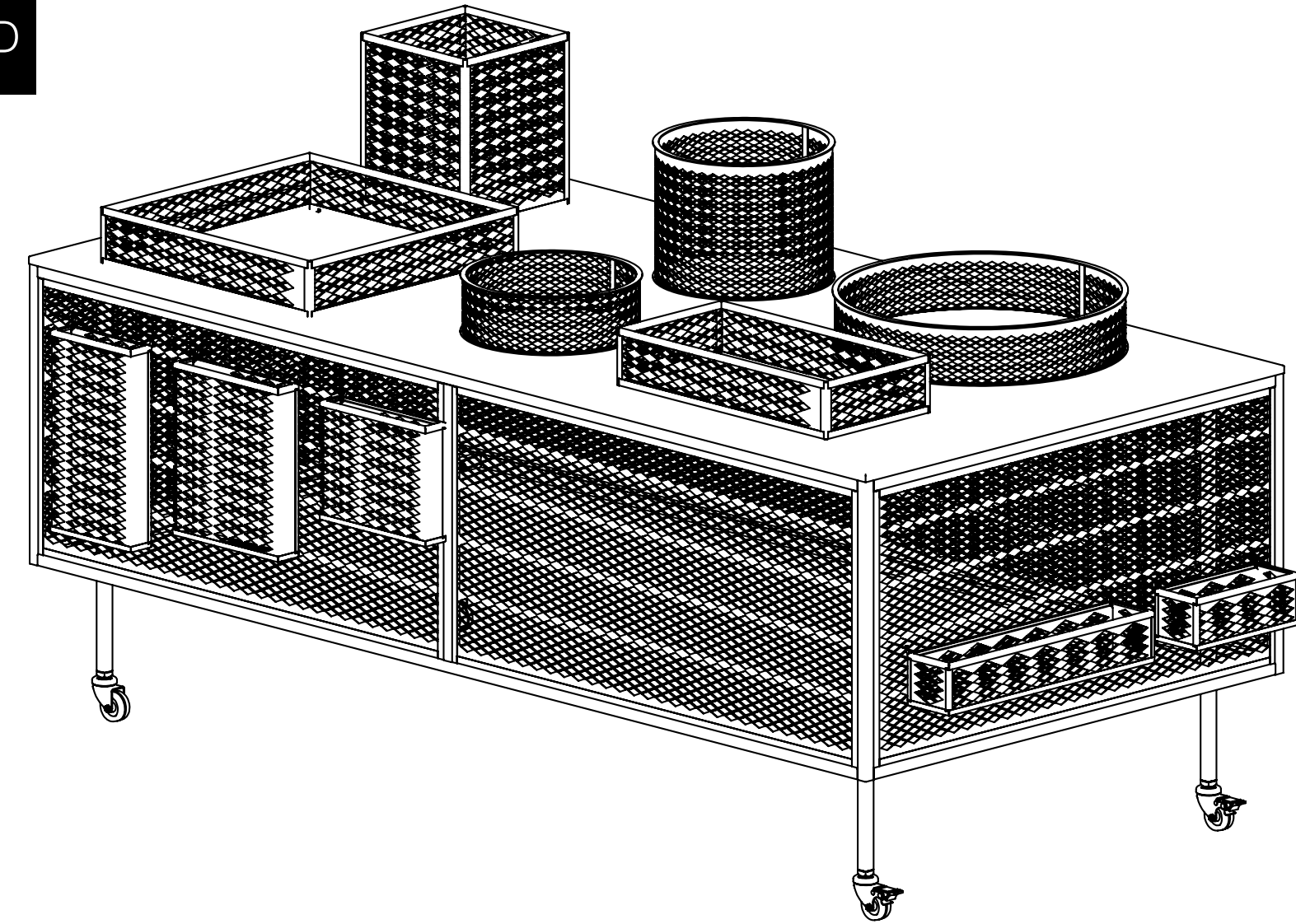
## BASIC



6 Stil L — 1

9 Insert adjustable — 4

## ADVANCED



6 Stil L — 1

10 Wheel with stopper — 4

20 Hinged dispenser 192x50x350  
for paper packages — 1

21 Hinged dispenser 252x50x300  
for paper packages — 1

22 Hinged dispenser 252x50x200  
for paper packages — 1

23 Hinged dispenser “CrossSelling”  
246x100x90 — 1

24 Hinged dispenser “CrossSelling”  
492x100x90 — 1

25 Basket for baguettes 250x250x300 — 1

26 Basket for baguettes 250x500x100 — 1

27 Basket for baguettes 500x500x100 — 1

28 Round basket 308x235 — 1

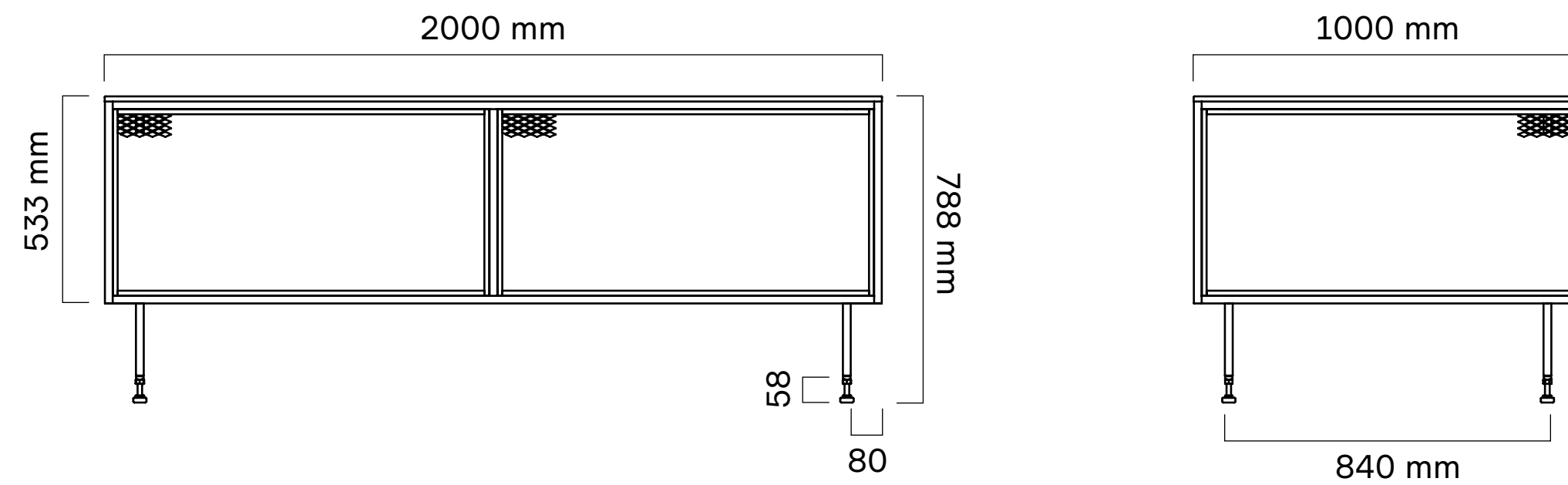
29 Round basket 308x100 — 1

30 Round basket 500x100 — 1

Click the number  
to get details

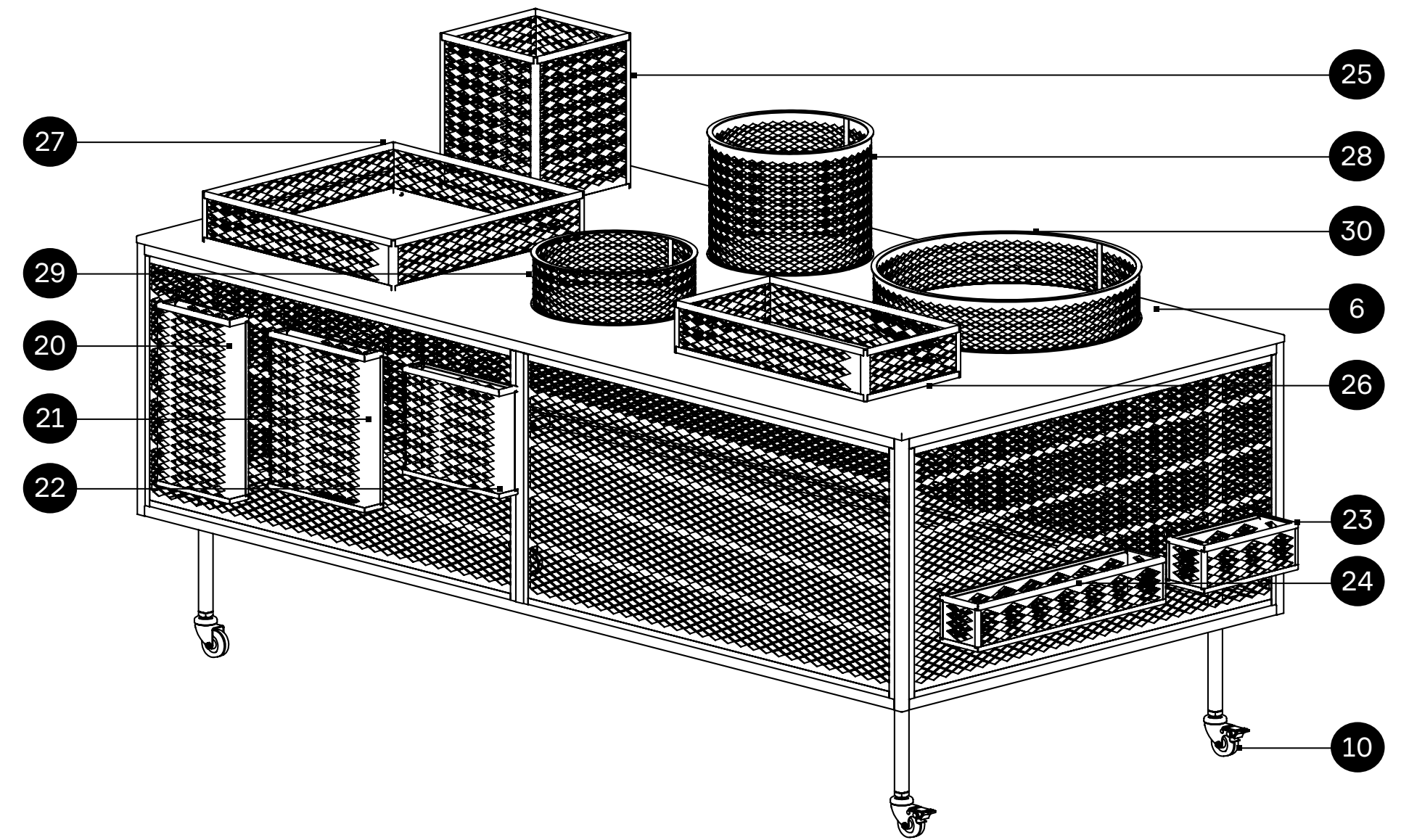


## Technical details



## Structure of Stil L

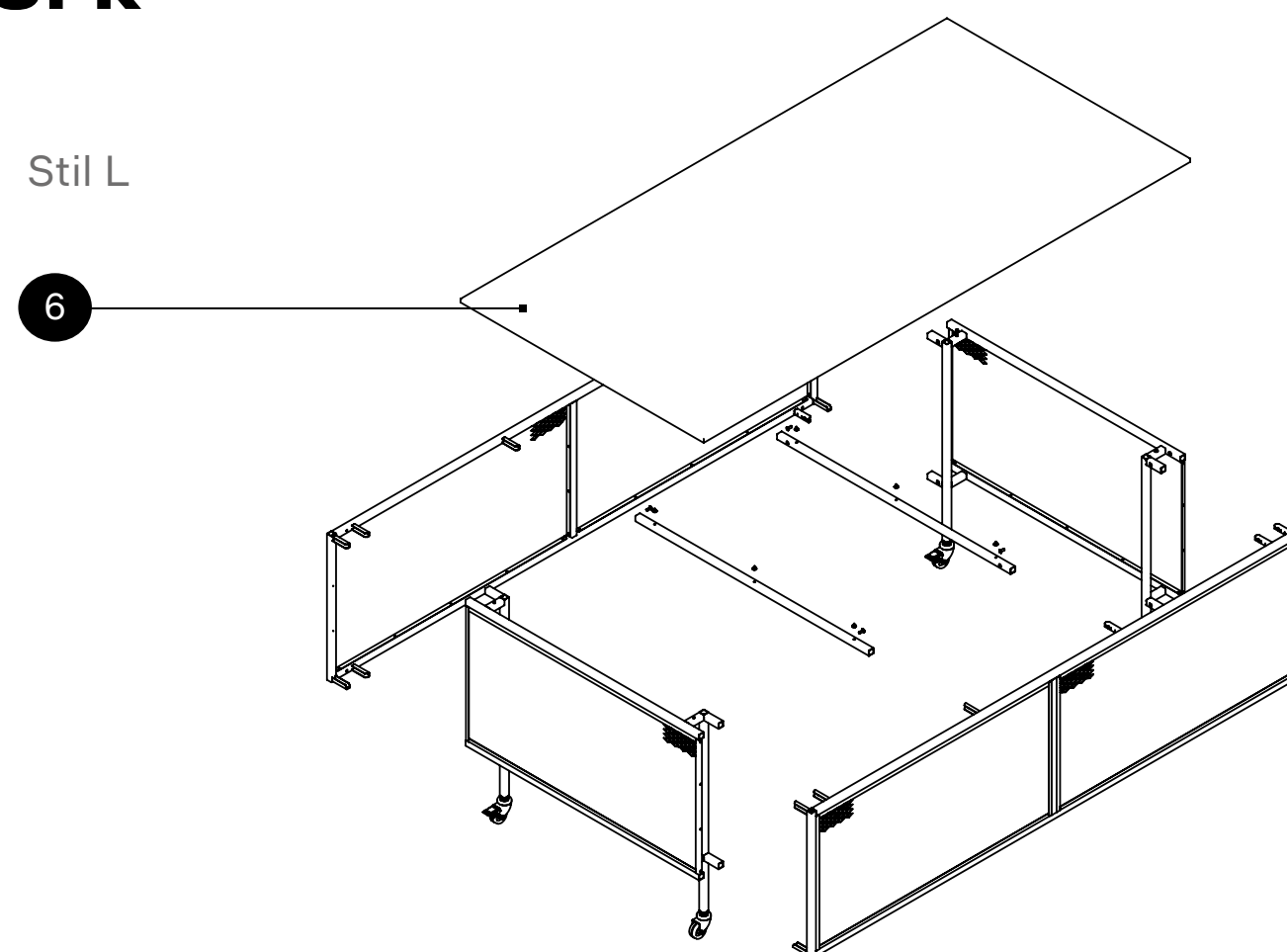
Click the number to get details



## Folding framework

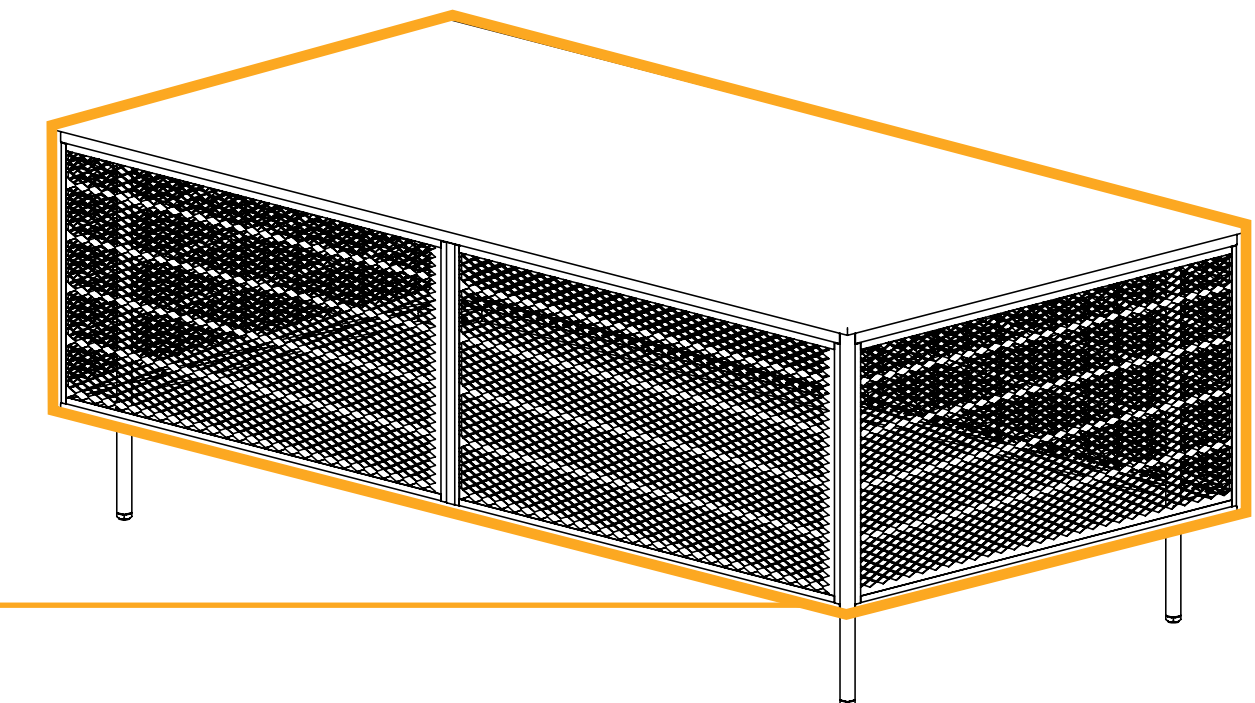
The only thing you need for bringing the framework together is cruciate screwdriver

Easy to assemble. Easy to disassemble. Easy to store



## Load capacity

300 kg per Stil L

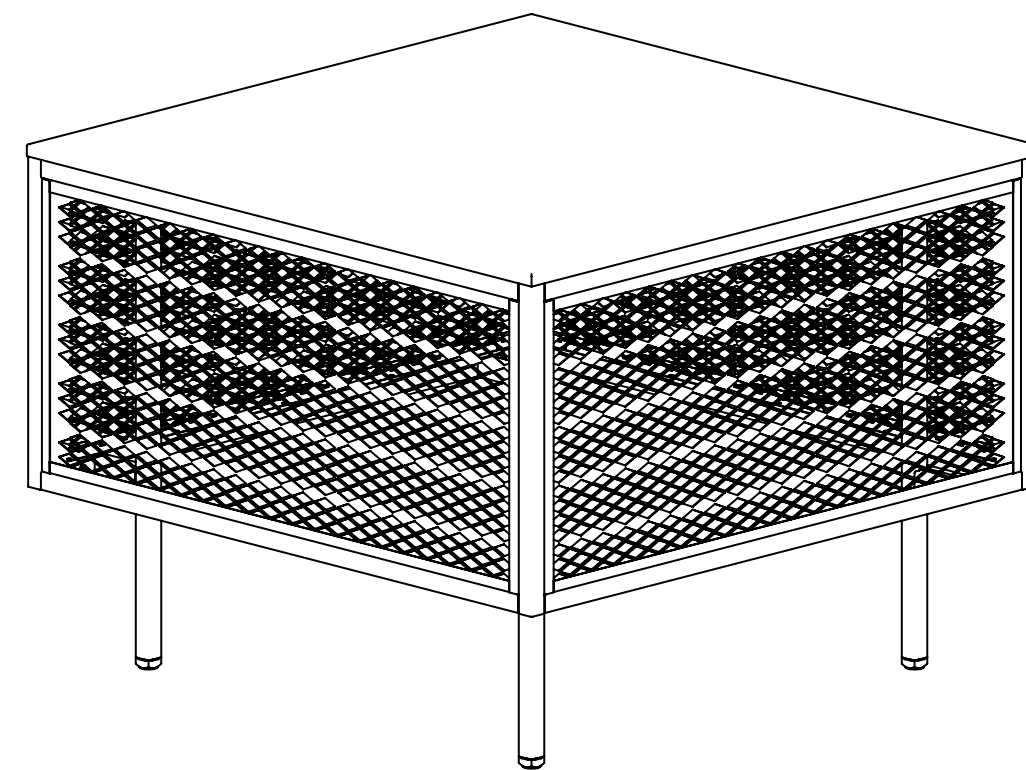




# Customize your Stil S

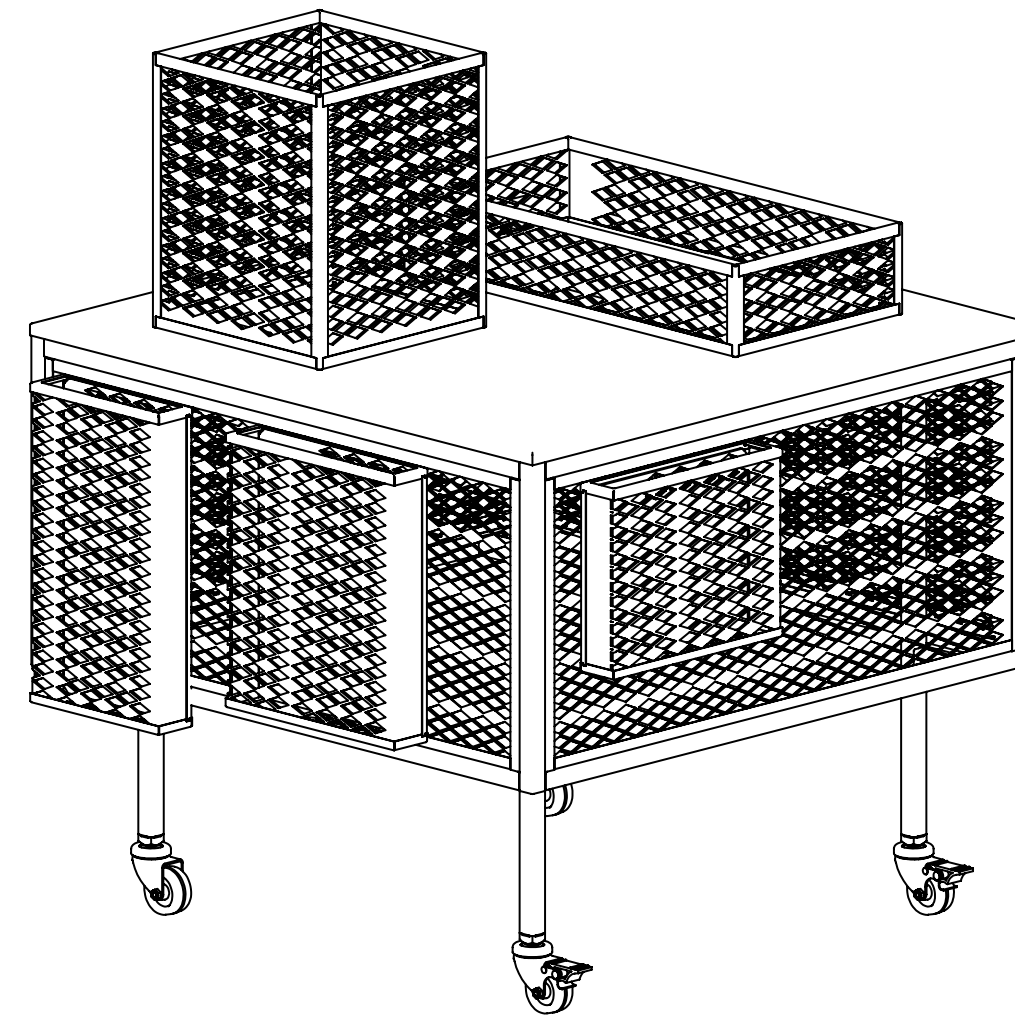
Examples of sets

## BASIC



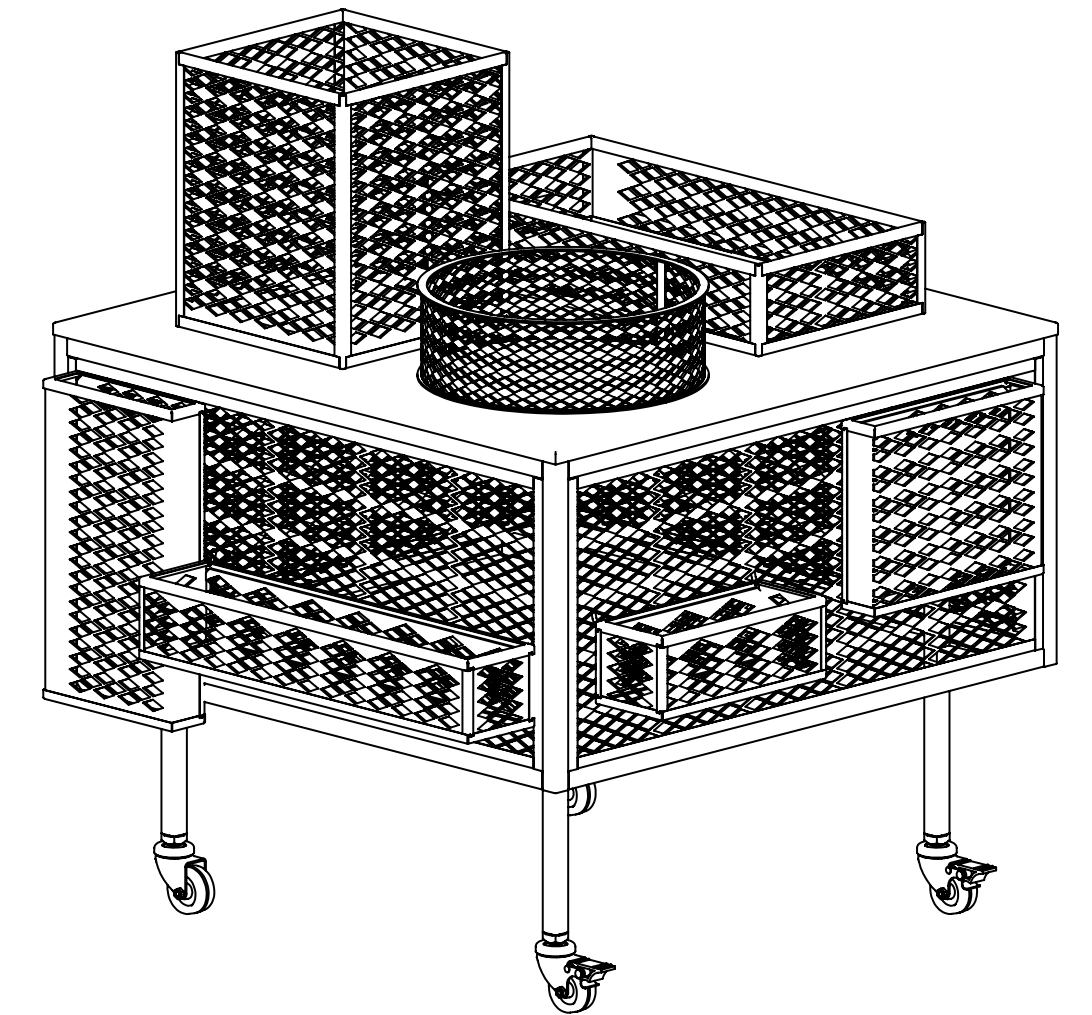
- 7 Stil S — 1
- 9 Insert adjustable — 4

## EXTRA



- 7 Stil S — 1
- 10 Wheel with stopper — 4
- 20 Hinged dispenser 192x50x350 for paper packages — 1
- 21 Hinged dispenser 252x50x300 for paper packages — 1
- 22 Hinged dispenser 252x50x200 for paper packages — 1
- 25 Basket for baguettes 250x250x300 — 1
- 26 Basket for baguettes 250x500x100 — 1

## ADVANCED

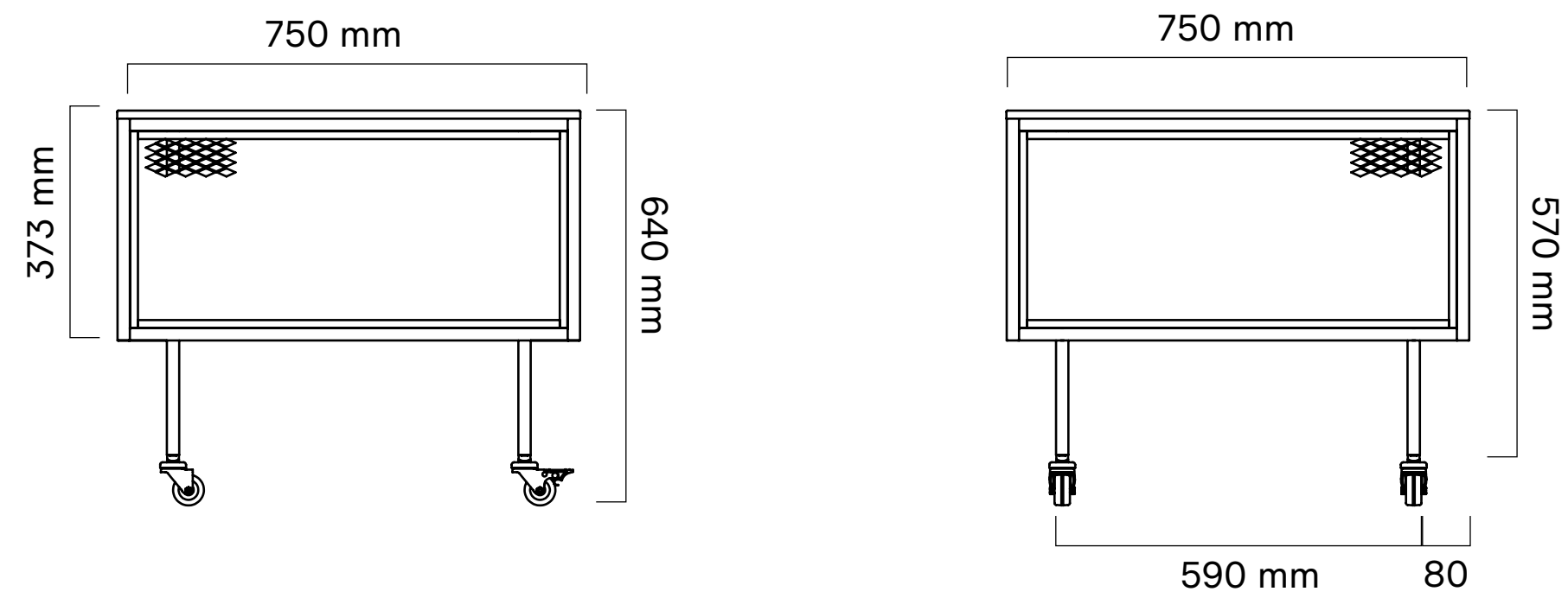


- 7 Stil S — 1
- 10 Wheel with stopper — 4
- 20 Hinged dispenser 192x50x350 for paper packages — 1
- 22 Hinged dispenser 252x50x200 for paper packages — 1
- 23 Hinged dispenser "CrossSelling" 246x100x90 — 1
- 24 Hinged dispenser "CrossSelling" 492x100x90 — 1
- 25 Basket for baguettes 250x250x300 — 1
- 26 Basket for baguettes 250x500x100 — 1
- 29 Round basket 308x100 — 1

Click the number to get details

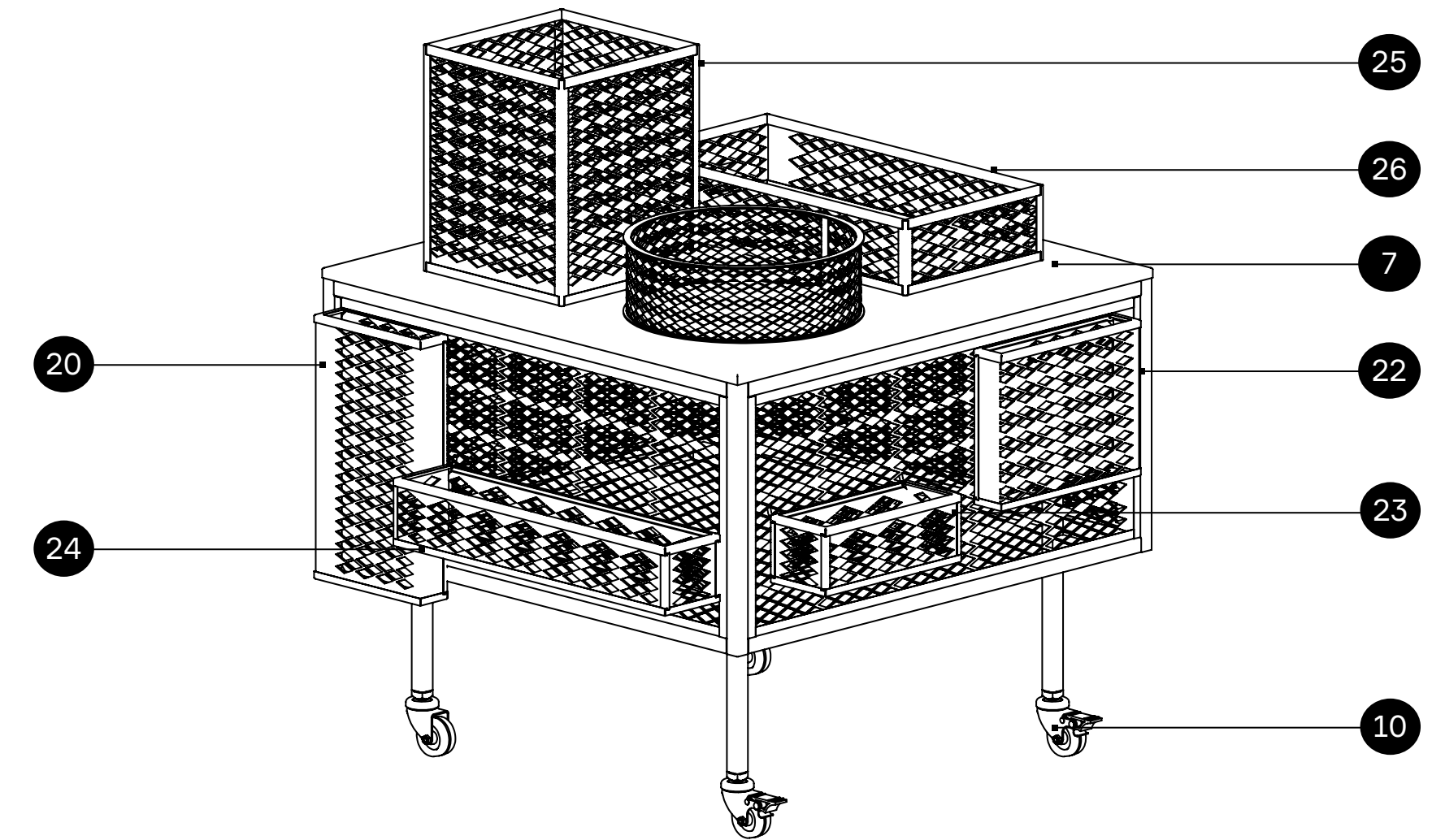


## Technical details



## Structure of Stil S

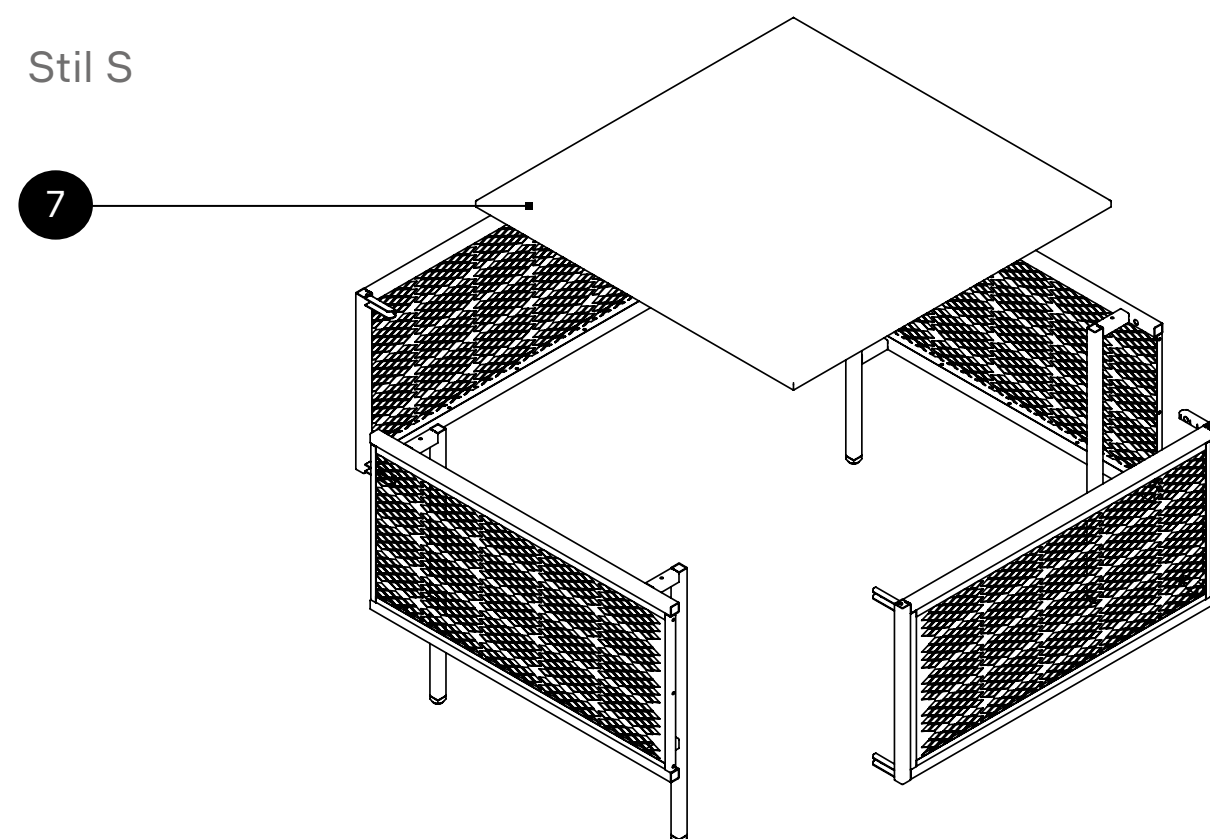
Click the number to get details



## Folding framework

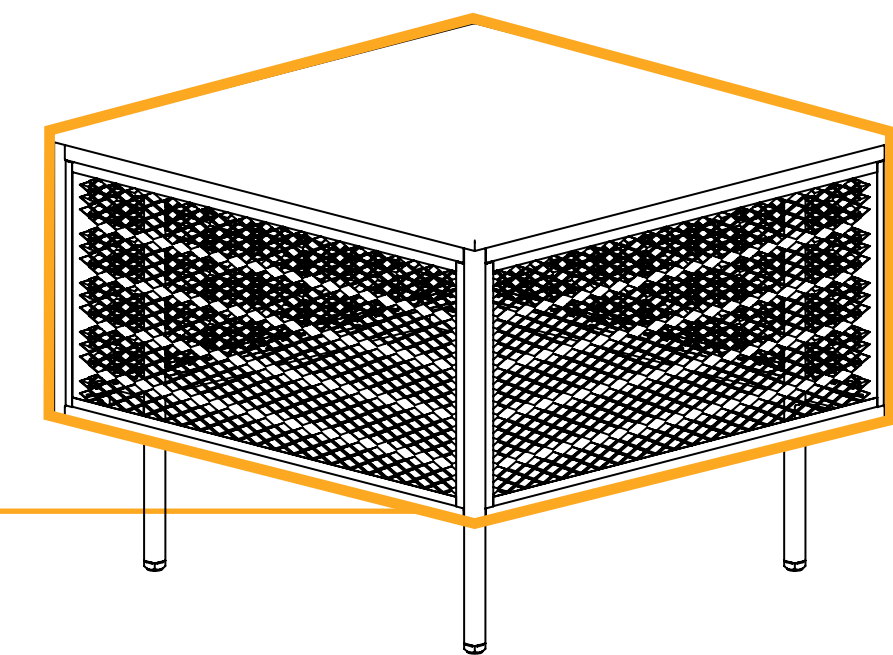
The only thing you need for bringing the framework together is cruciate screwdriver

Easy to assemble. Easy to disassemble. Easy to store



## Load capacity

100 kg per Stil S





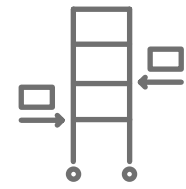
# Vozyk

Dynamic and compact shelves display

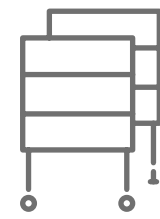
Easy transform your bakery presentation zone even in limited spaces



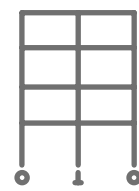
Multi-level exposition



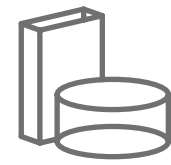
2-side filling



Mobile / Stationary



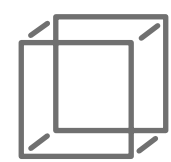
Wall / Island unit



Pool of hinged accessories



Glass / Mesh shelves



Folding frame base

## Size

1000x420x1430

## Materials

metal square pipe

metal sheet

mesh

glass

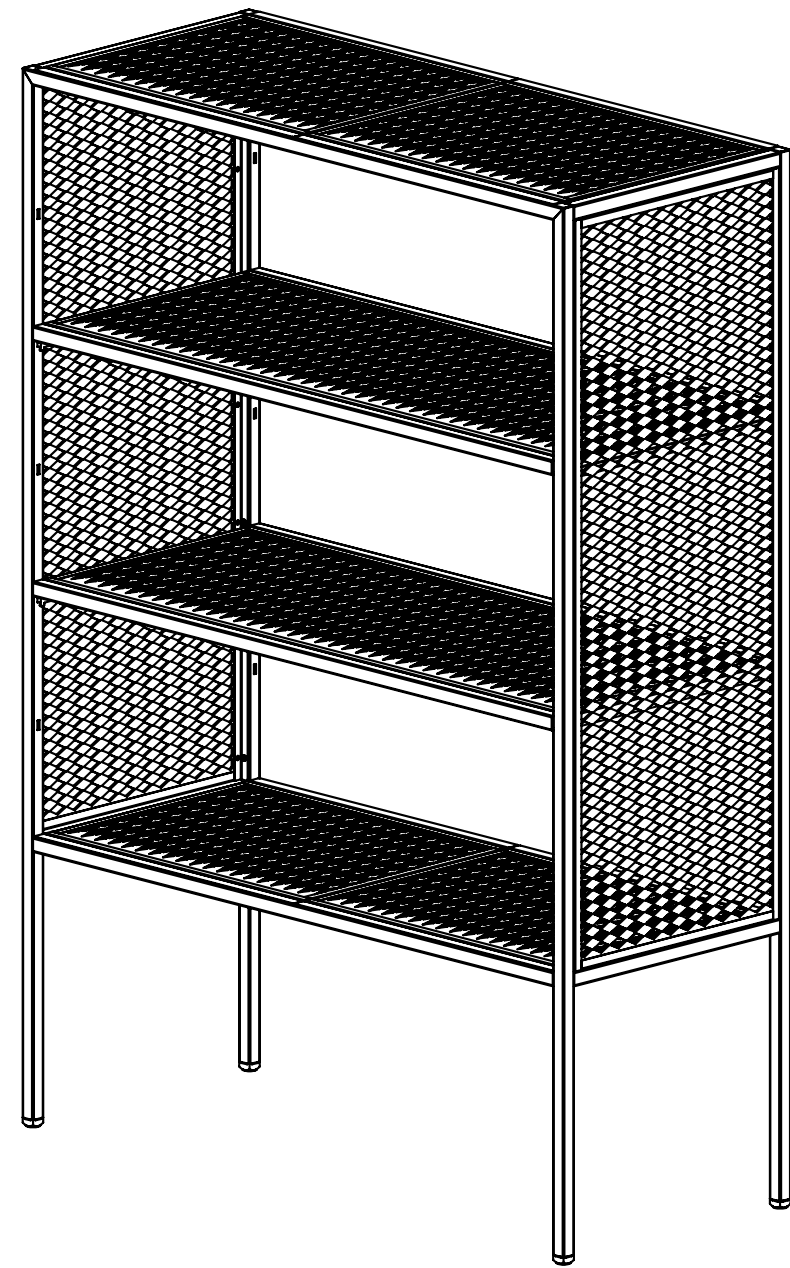




# Customize your Vozyk

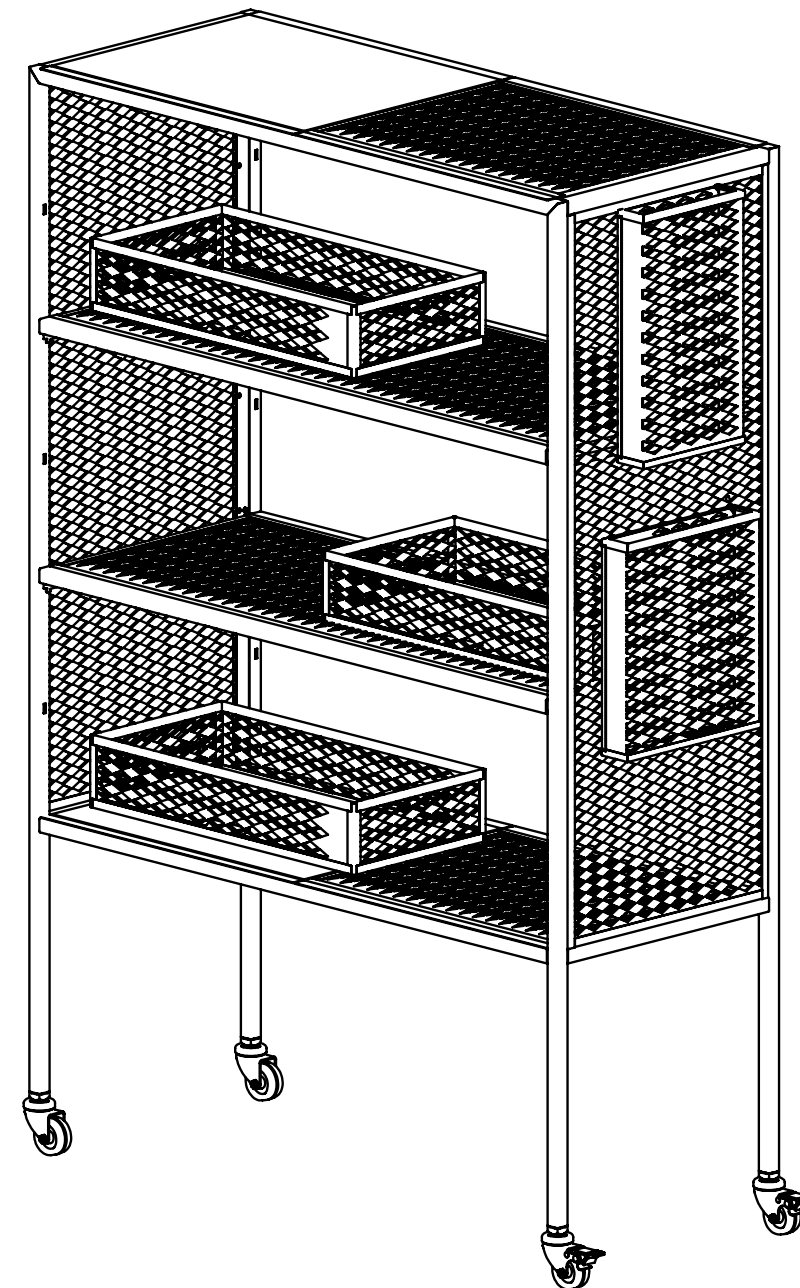
Examples of sets

## BASIC



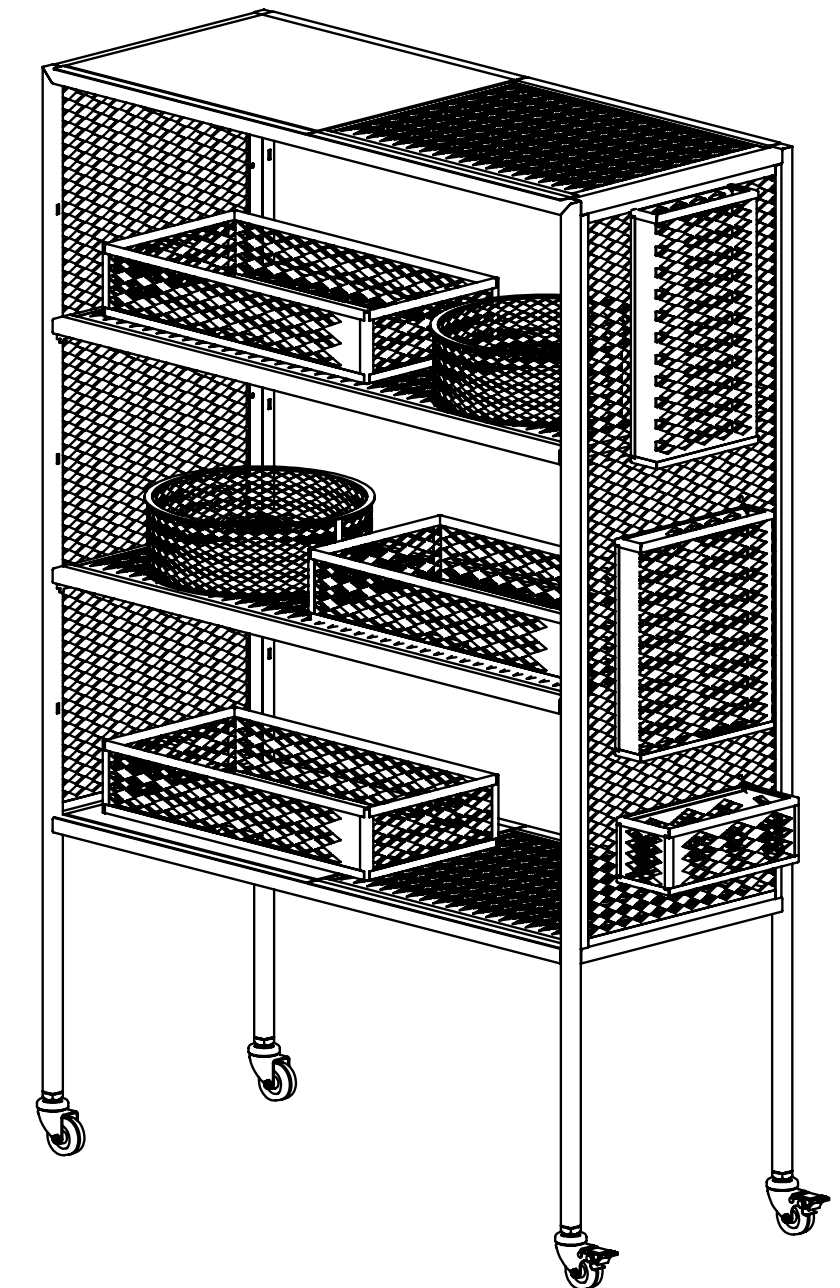
- 8 Framework Vozyk — 1
- 9 Insert adjustable — 4
- 17 Middle level mesh shelf — 2
- 18 Up/Low level mesh half shelf — 4

## EXTRA



- 8 Framework Vozyk — 1
- 10 Wheel with stopper — 4
- 17 Middle level mesh shelf — 2
- 18 Up/Low level mesh half shelf — 2
- 19 Up/Low level glass half shelf — 2
- 20 Hinged dispenser 192x50x350 for paper packages — 1
- 21 Hinged dispenser 252x50x300 for paper packages — 1
- 26 Basket for baguettes 250x500x100 — 3

## ADVANCED

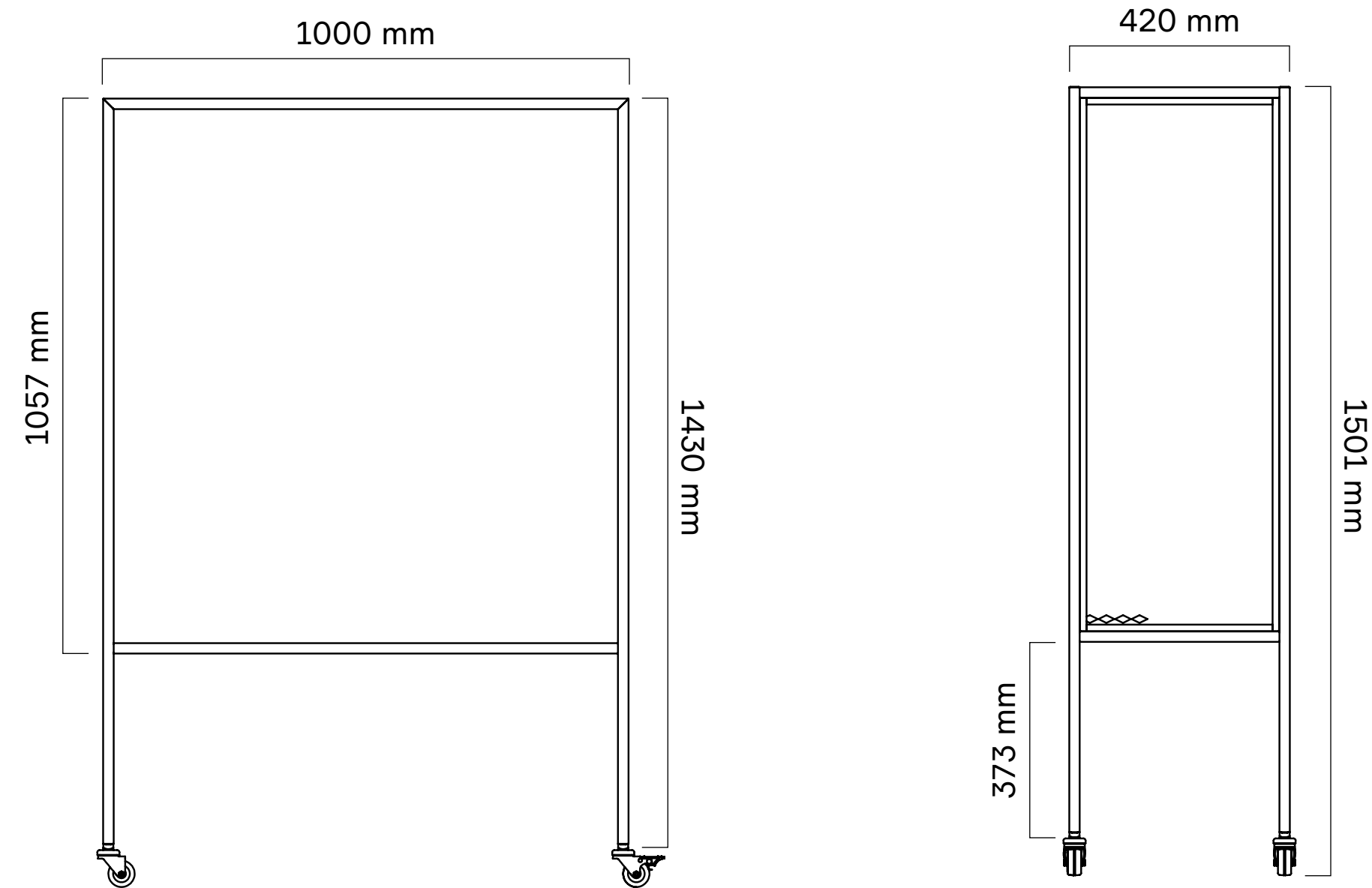


- 8 Framework Vozyk — 1
- 10 Wheel with stopper — 4
- 17 Middle level mesh shelf — 2
- 18 Up/Low level mesh half shelf — 2
- 19 Up/Low level glass half shelf — 2
- 20 Hinged dispenser 192x50x350 for paper packages — 1
- 21 Hinged dispenser 252x50x300 for paper packages — 1
- 23 Hinged dispenser "CrossSelling" 246x100x90 — 1
- 26 Basket for baguettes 250x500x100 — 3
- 29 Round basket 308x100 — 2

Click the number to get details

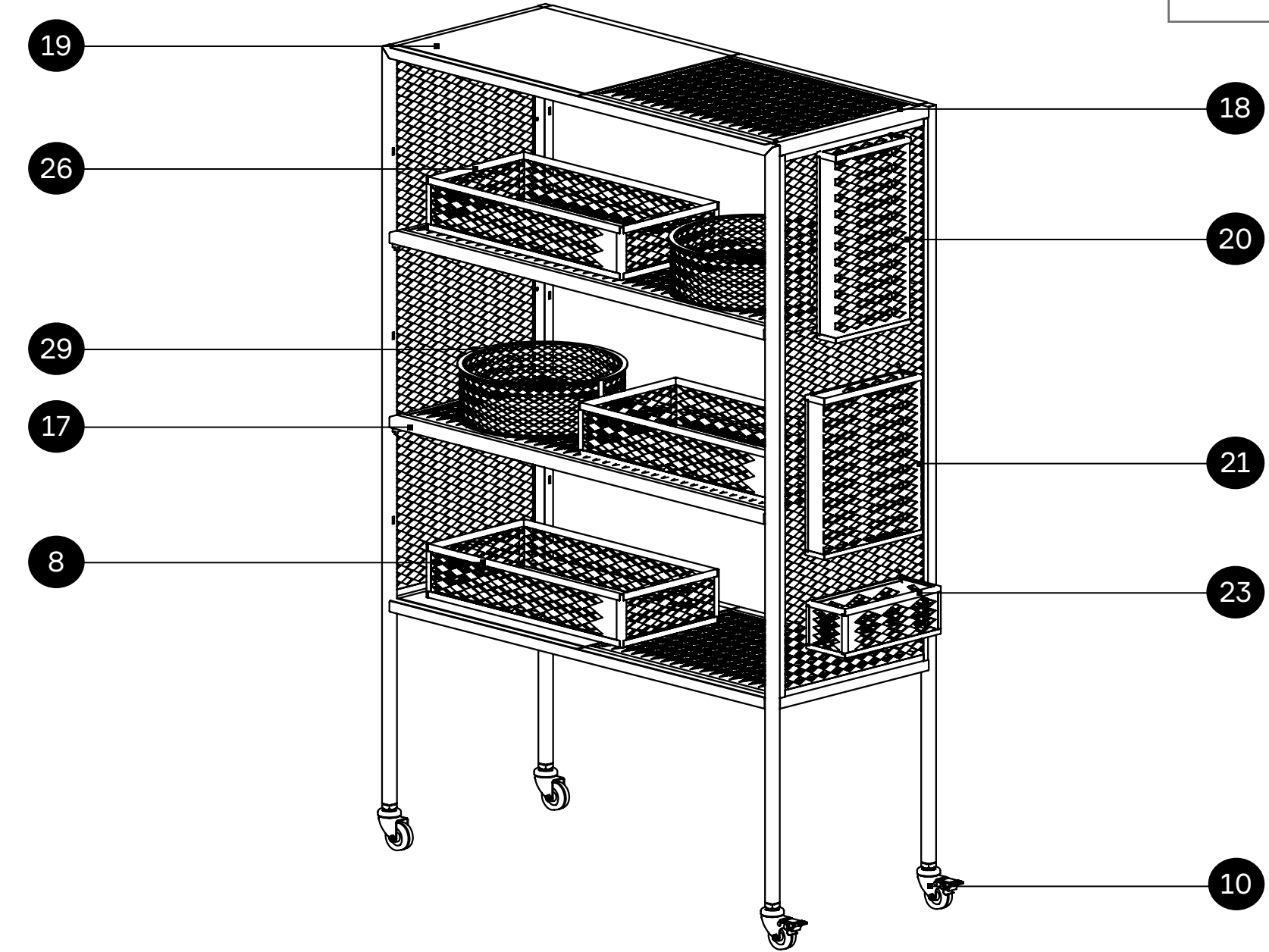


## Technical details



## Structure of Platform

Click the number to get details

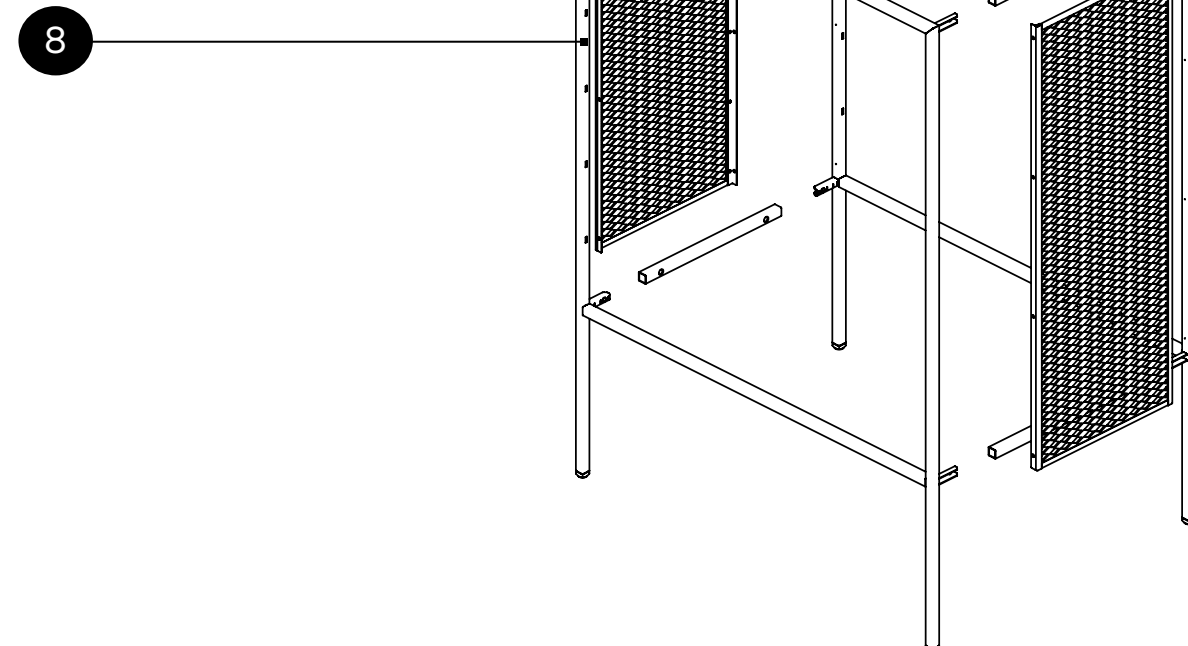


## Folding framework

The only thing you need for bringing the framework together is cruceate screwdriver

Easy to assemble.  
Easy to disassemble.  
Easy to store

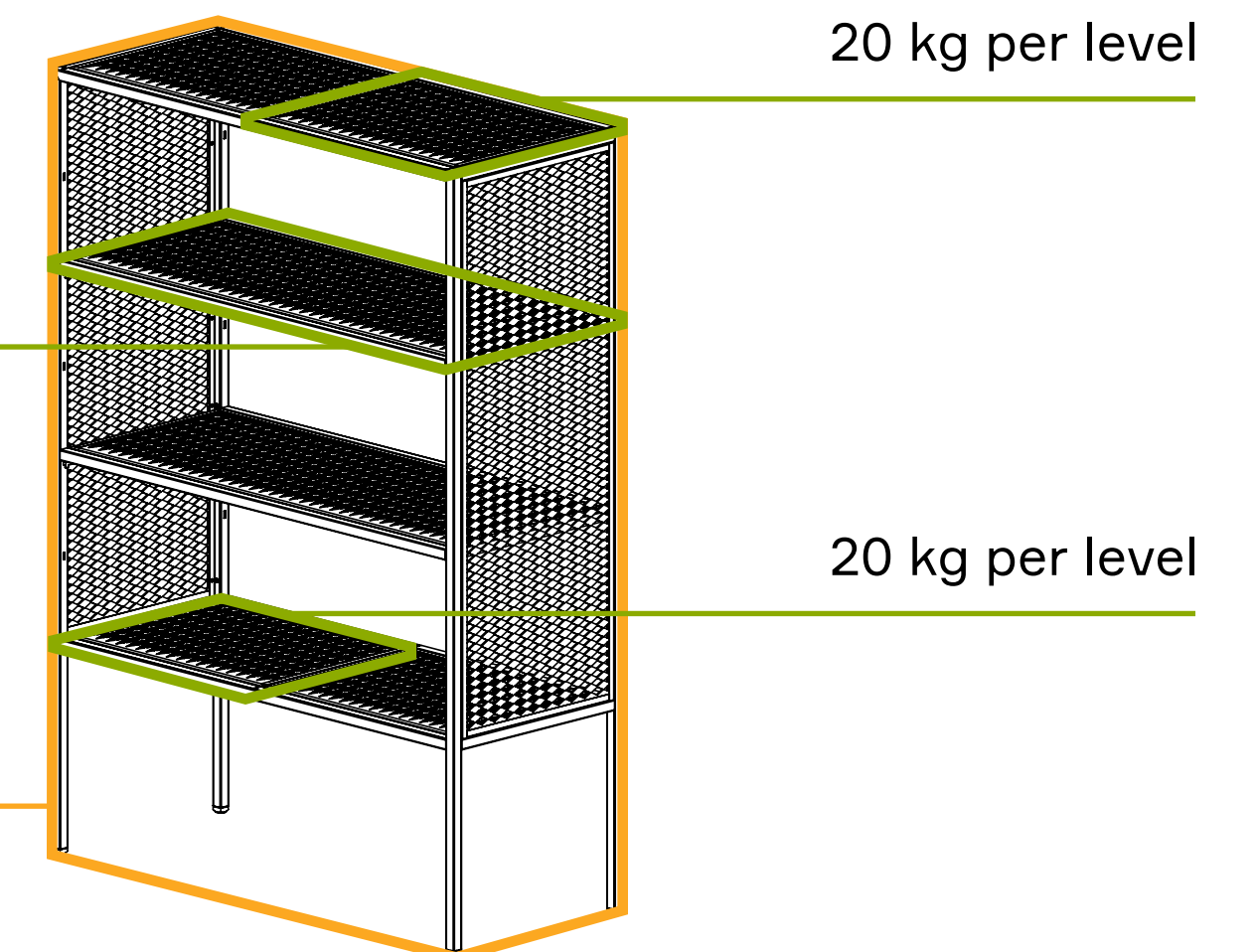
Framework  
Vozyk



## Load capacity

50 kg per level

200 kg per display



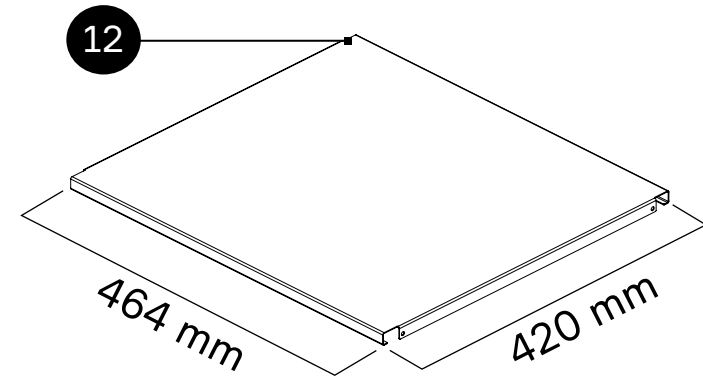


# Types of shelves

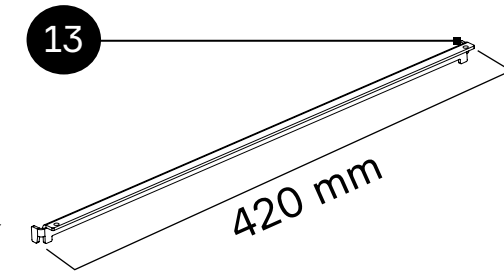
Click the number to get details

## Shafa

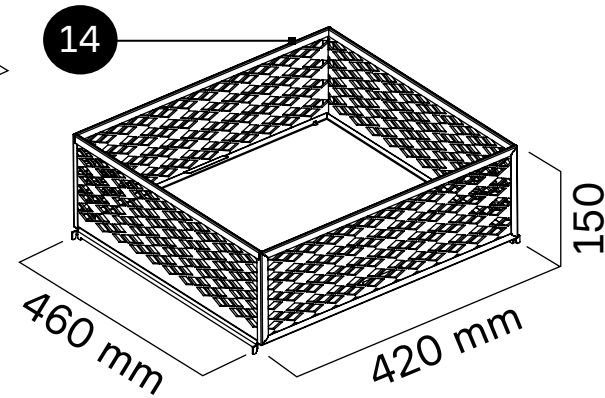
Metal wide shelf



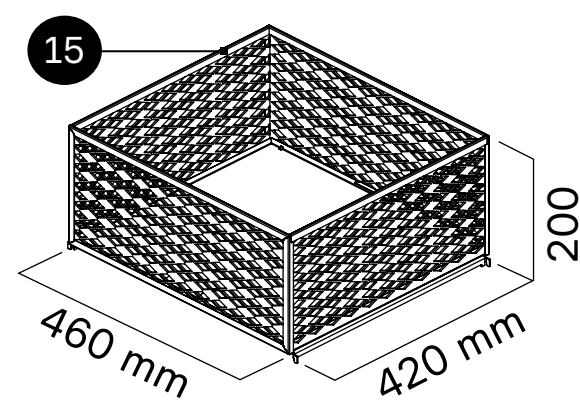
Bracket



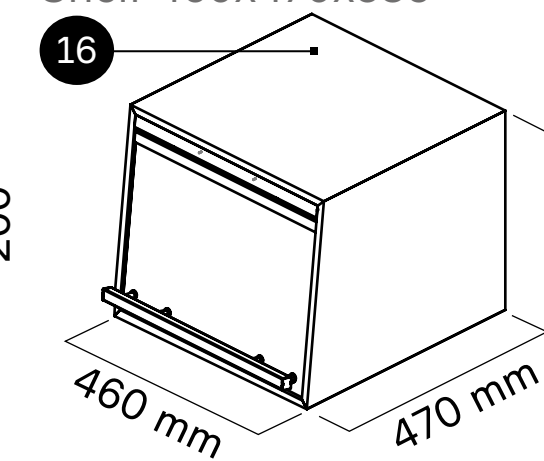
Basket 460x420x150



Basket 460x420x200

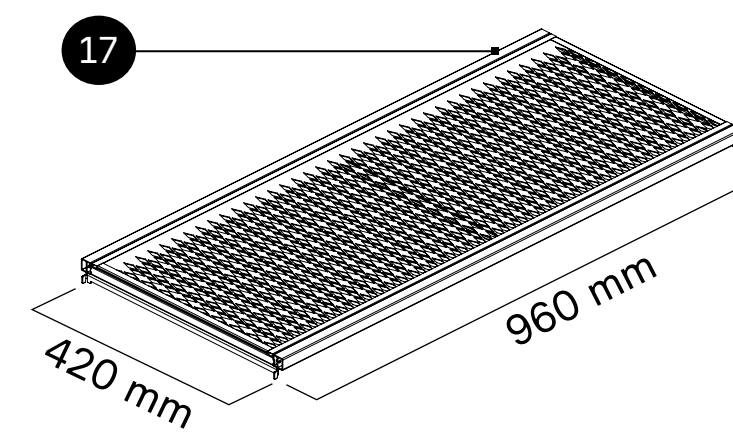


Automatic-closing door Shelf 460x470x385

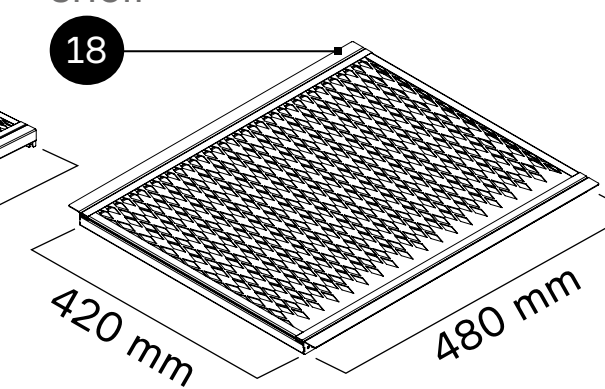


## Vozyk

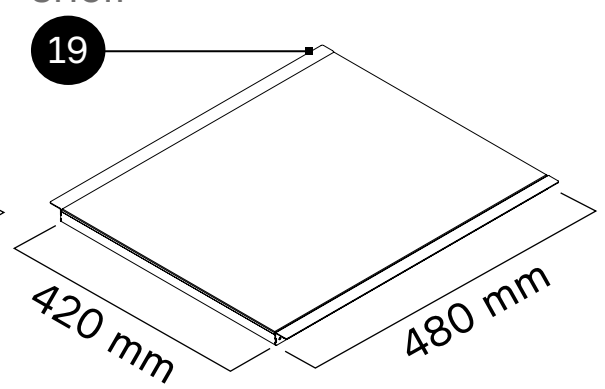
Middle level mesh shelf



Up/Low level mesh half shelf



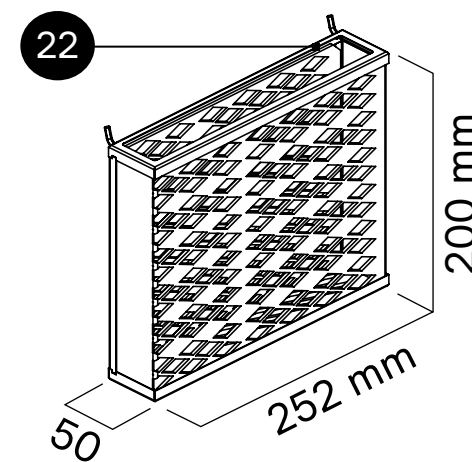
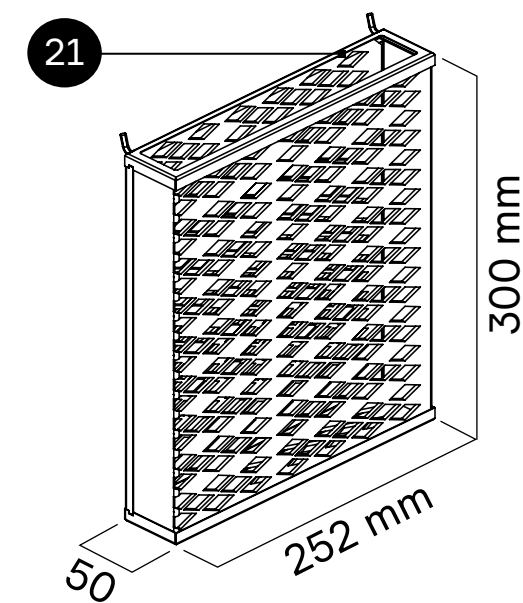
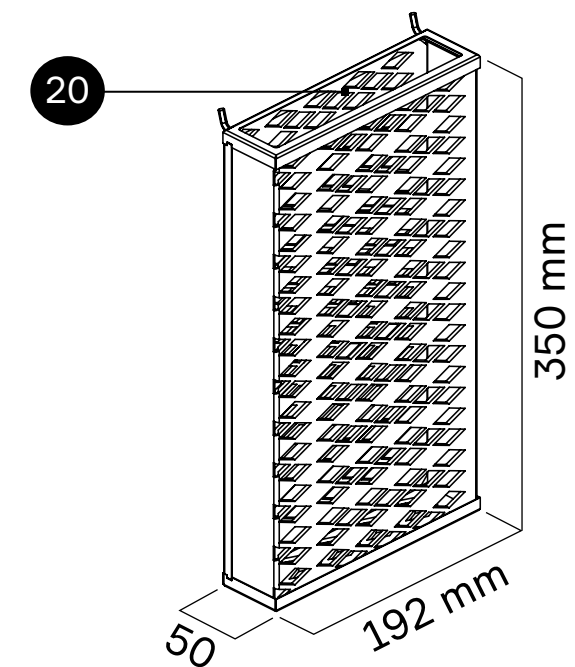
Up/Low level glass half shelf



# Accessories

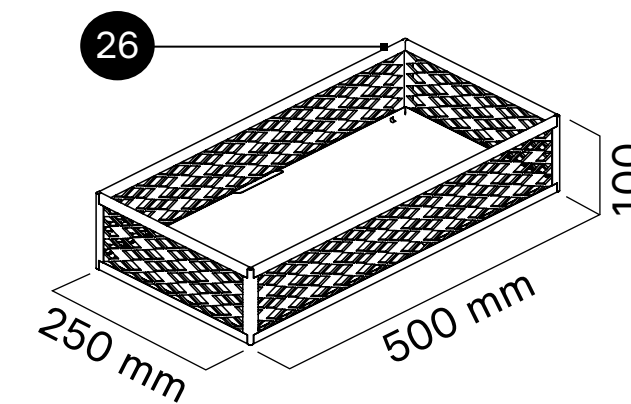
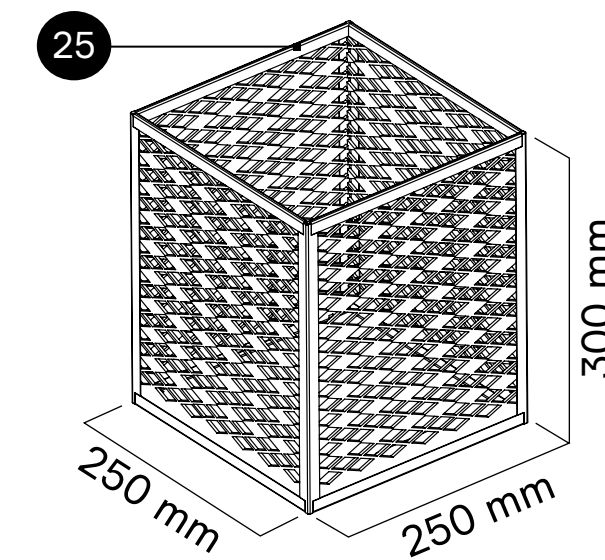
## Shafa / Stil L / Stil S / Vozyk

Hinged dispensers for paper packages

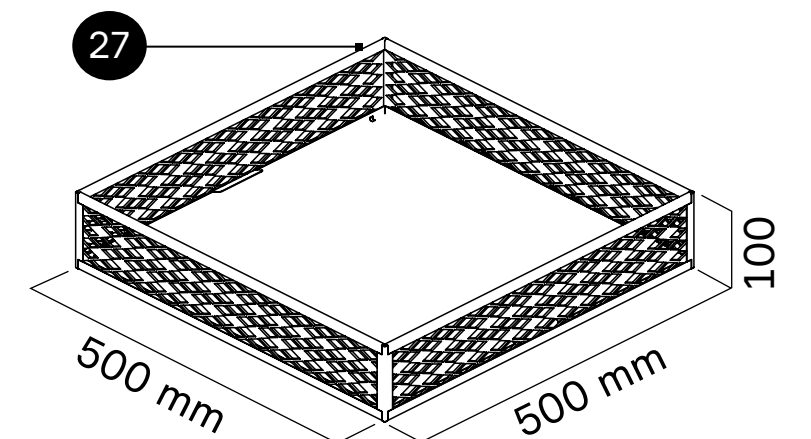


## Shafa / Stil L / Stil S / Vozyk

Baskets for baguettes

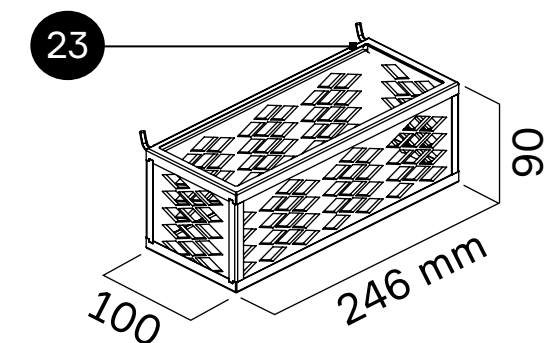


## Stil L / Stil S

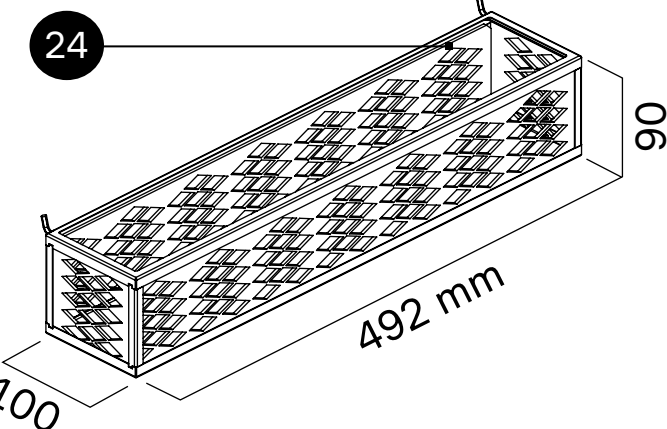


## Shafa / Stil L / Stil S

Hinged dispensers "CrossSelling"

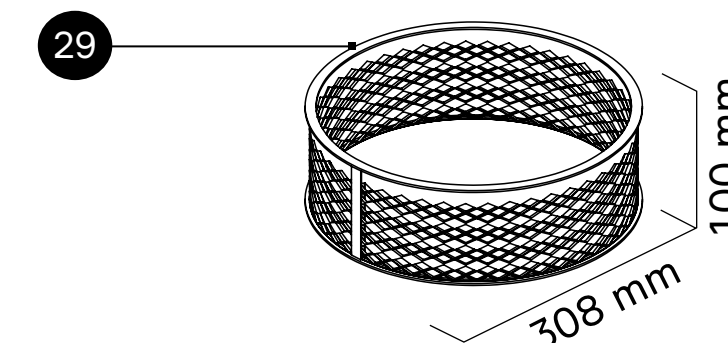
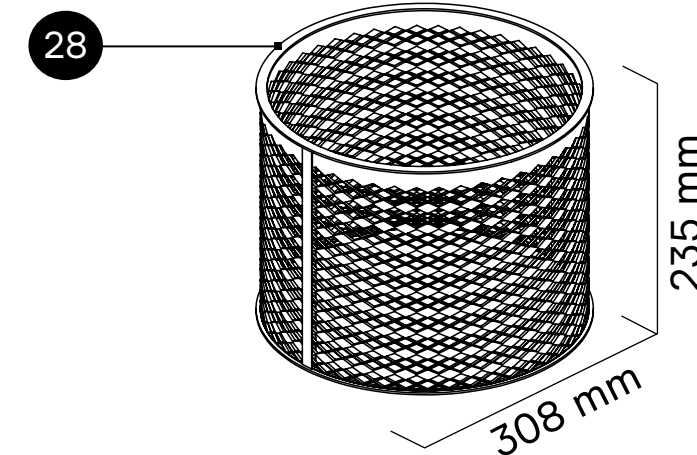


## Shafa / Stil L / Stil S / Vozyk

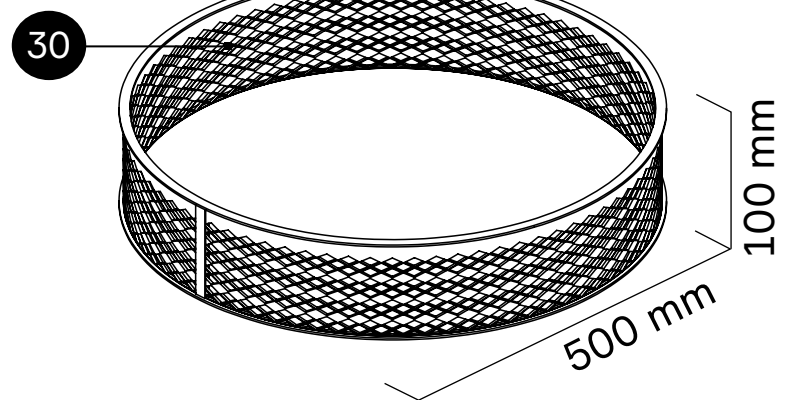


## Shafa / Stil L / Stil S / Vozyk

Round basket



## Stil L / Stil S





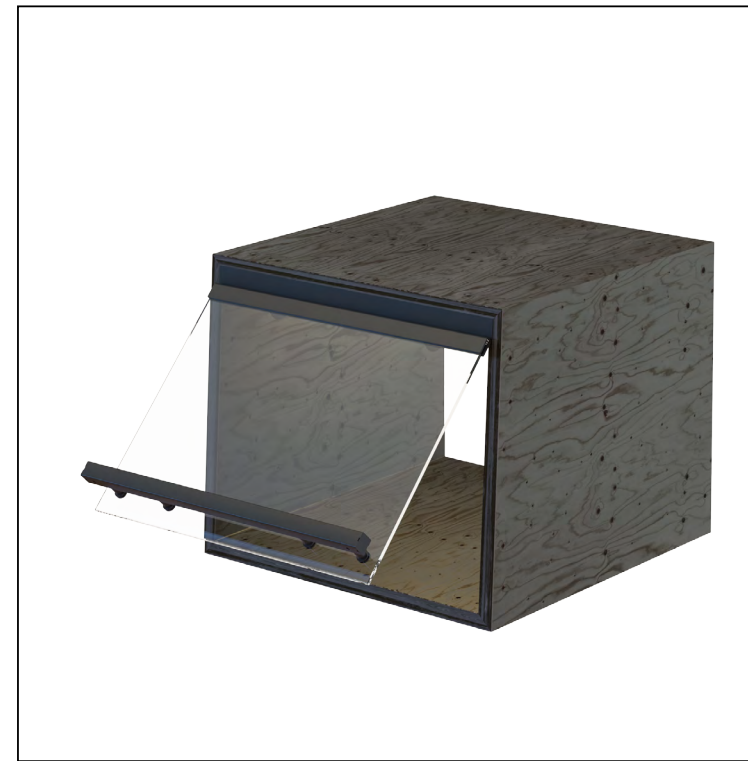
## Volokno's well-designed details



Double bottom for easy cleaning from breadcrumbs



Aesthetic and creative placement of accessories on the sides



Shelves with lift up door



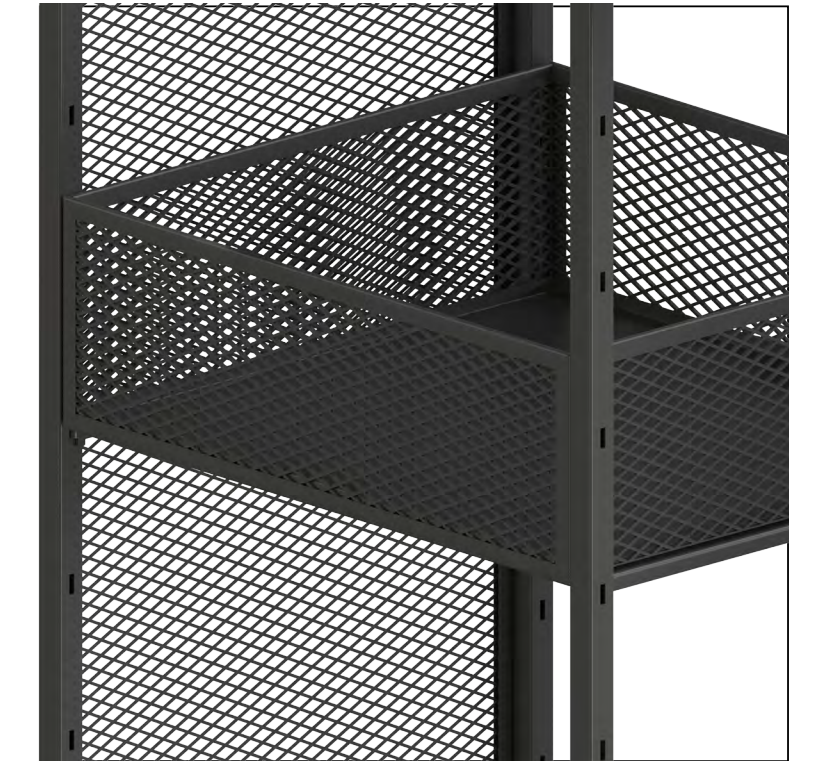
Mobile

Swivel wheels for great maneuverability



Stationary

Adjustable legs inserts provide stability even on uneven surfaces



Vertical frame perforation allows to place shelves with pitch 100 mm



# Easily assemble elements into Volokno family modules

Article	Elements	Shafa Stationary	Shafa Mobile	Stil L	Stil S	Vozyk
<b>Basic elements</b>						
1	1018-712-K3	Basic section Shafa Stationary	1			
2	1018-743-K3	Extension section Shafa Stationary	max 10			
3	1018-710-K3	Basic section Shafa Mobile		1		
4	1018-741-K3	Extension section Shafa Mobile		max 10		
5	1018-723-K3	Sidewall Shafa	1	1		
6	1013-223-10	Stil L		.		
7	1013-375-K3	Stil S			.	
8	1018-658-10	Framework Vozyk				1
<b>Support elements</b>						
9	4037-007-04	Insert adjustable	4 / section		4	4
10	4001-292-46	Wheel with stopper		.	4	4
<b>Shelves and accessories</b>						
12	1019-467-K3	Metal wide shelf	max 10 / section	max 10 / section		
13	1017-914-K3	Bracket	2 / shelf (basket)	2 / shelf (basket)		
14	1018-111-10	Basket 460x420x150	max 5 / section	max 5 / section		
15	1018-113-10	Basket 460x420x200	max 5 / section	max 5 / section		
16	1021-127-10	Automatic-closing door Shelf	max 3 / section	max 3 / section		
17	1018-131-10	Middle level mesh shelf				2
18	1018-133-10	Up/Low level mesh half shelf				2
19	1018-132-10	Up/Low level glass half shelf				2
20	1017-784-10	Hinged dispenser 192x50x350 for paper packages	.	.	.	.
21	1017-785-10	Hinged dispenser 192x50x300 for paper packages	.	.	.	.
22	1017-786-10	Hinged dispenser 252x50x200 for paper packages	.	.	.	.
23	1018-115-10	Hinged dispenser "CrossSelling" 246x100x90	.	.	.	.
24	1018-114-10	Hinged dispenser "CrossSelling" 492x100x90		.	.	
25	1018-008-10	Basket for baguettes 250x250x300	.	.	.	.
26	1018-116-10	Basket for baguettes 250x500x100	.	.	.	.
27	1018-117-10	Basket for baguettes 500x500x100		.	.	
28	1017-782-10	Round basket 308x235	.	.	.	.
29	1017-779-10	Round basket 308x100	.	.	.	.
30	1017-780-10	Round basket 500x100		.	.	

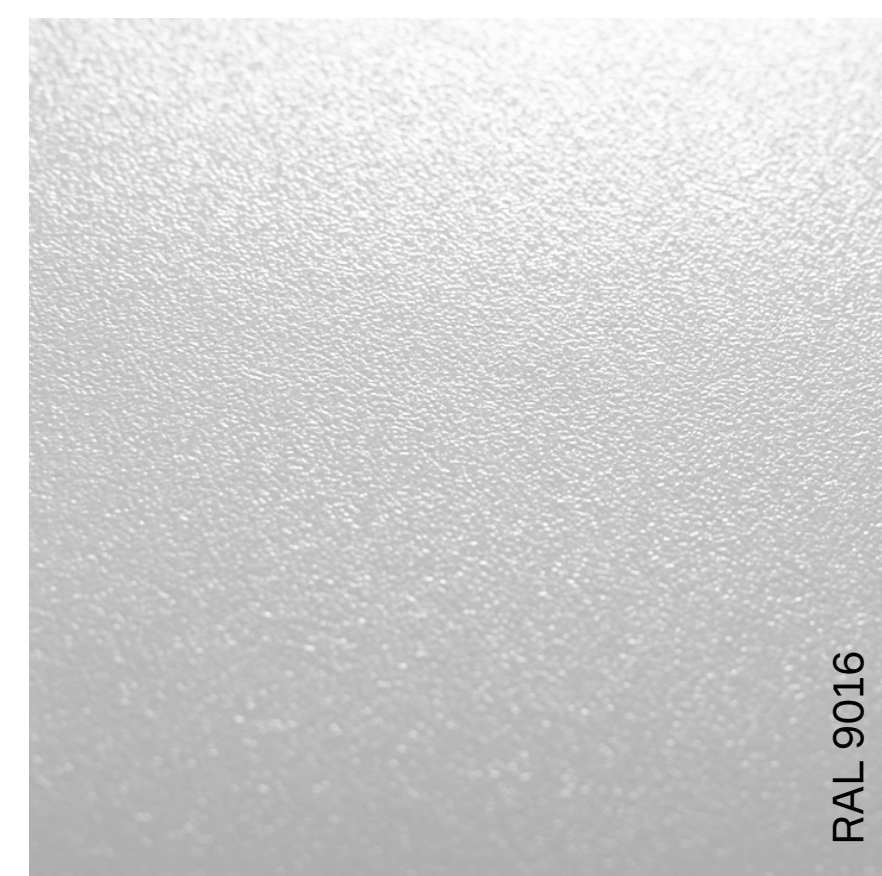
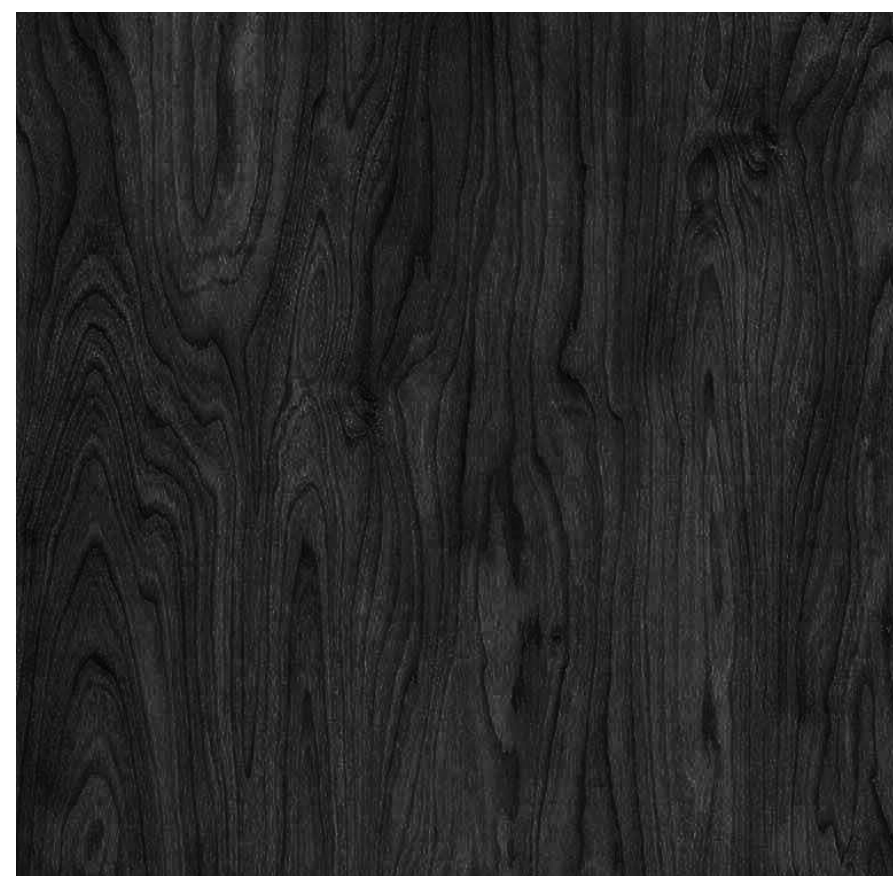
 main elements  optional elements



# Volokno RAL Identit



RAL 9005



RAL 9016





