

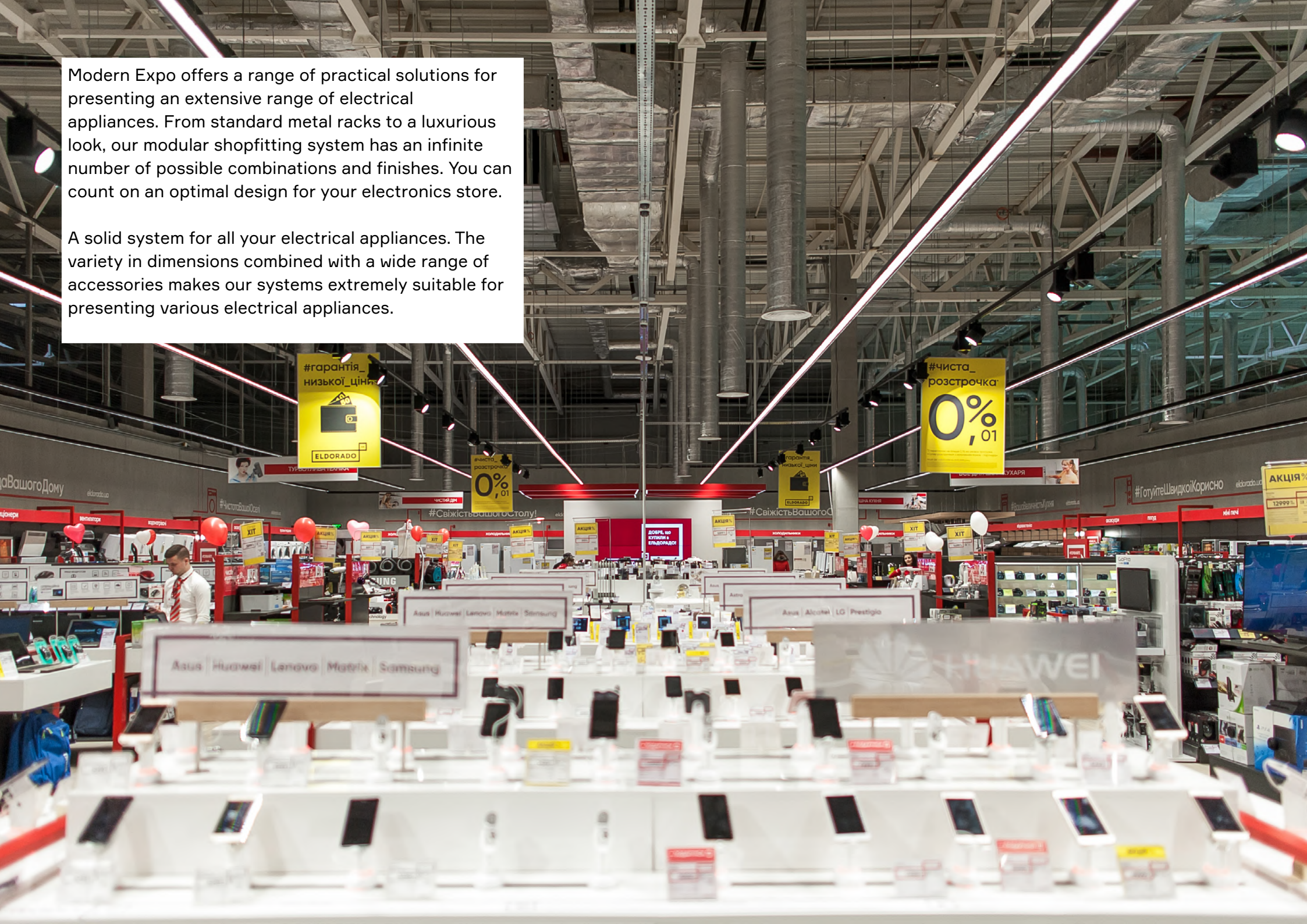
**EQUIPMENT FOR  
ELECTRONICS &  
HOUSEHOLD APPLIANCES**

---

Product catalog

Modern Expo offers a range of practical solutions for presenting an extensive range of electrical appliances. From standard metal racks to a luxurious look, our modular shopfitting system has an infinite number of possible combinations and finishes. You can count on an optimal design for your electronics store.

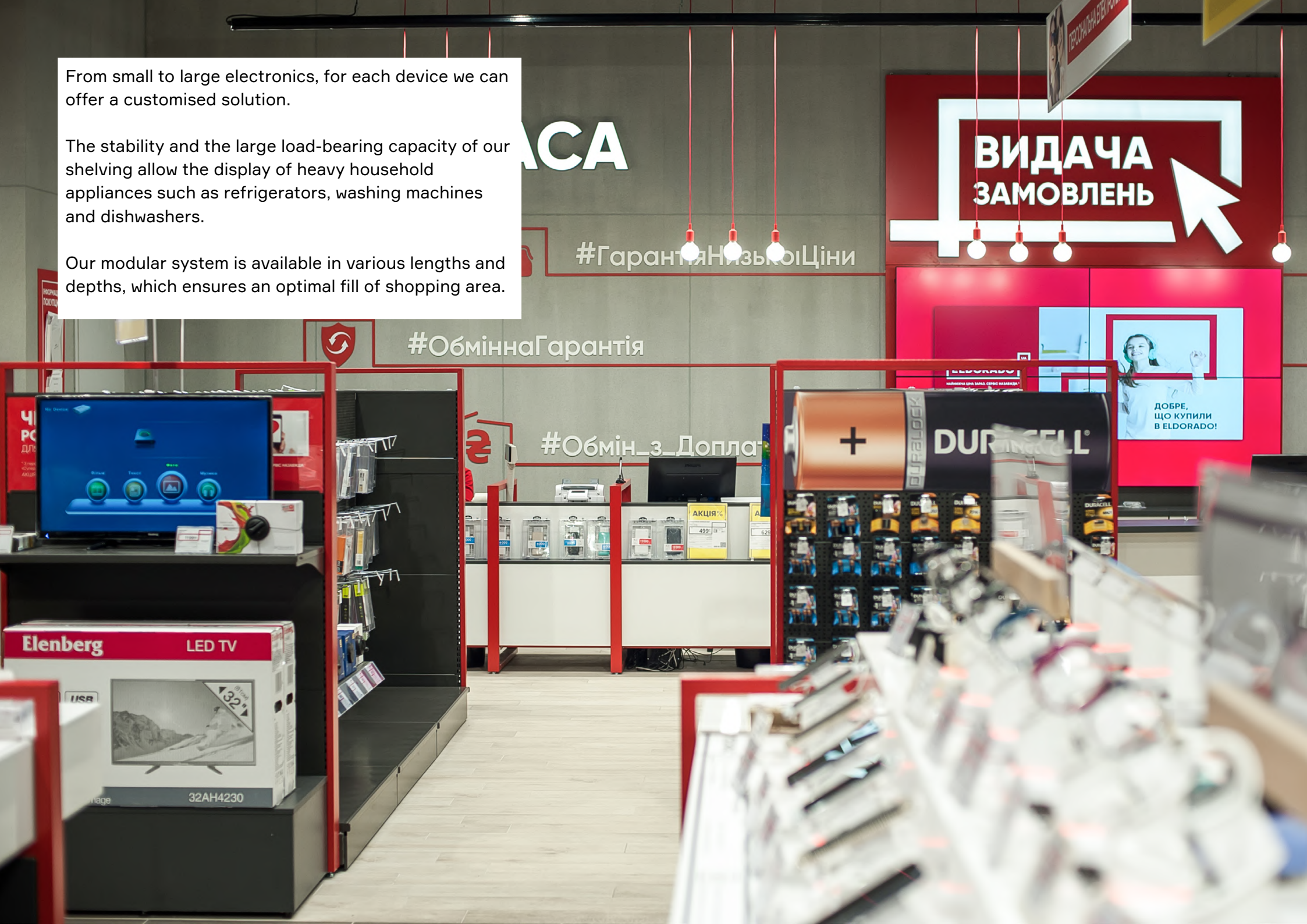
A solid system for all your electrical appliances. The variety in dimensions combined with a wide range of accessories makes our systems extremely suitable for presenting various electrical appliances.



From small to large electronics, for each device we can offer a customised solution.

The stability and the large load-bearing capacity of our shelving allow the display of heavy household appliances such as refrigerators, washing machines and dishwashers.

Our modular system is available in various lengths and depths, which ensures an optimal fill of shopping area.



СА

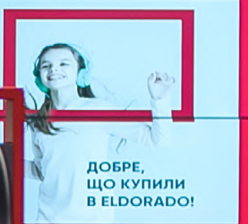
#ГарантіяНизькоїЦіни

ВИДАЧА  
ЗАМОВЛЕНЬ



#ОбміннаГарантія

#Обмін\_з\_Доплатою



# PROOFS

## **ASSORTMENT**

Extensive range of solutions for all types of electronic and household appliances.

## **EFFICIENCY**

Best ergonomics for customers and store personnel.

## **SUPERB PRESENTATION**

Displays combine elegant, space-saving design with a great product overview.

## **VERSATILE**

Adaptable solutions for varying electronic stores sizes - from the most compact to the biggest.

## **EYE-CATCHER**

Maximized product visibility with special design features.

## **CROSS-SELLING & PROMOTION**

Convenient elements for cross-selling, supported by advertising panels.

## **MATERIALS**

A wide range of decorations to keep the look of your store as attractive as possible.

## **LED LIGHTNING**

LED lighting enhances the appeal and brightness of both the equipment and the displayed products on it.

## **SECURE**

Customized solutions with secure doors for the safe storage of inventory.

## SMALL ELECTRONICS



## CUSTOMIZED ACCESSORIES



## TV



## VACUUM CLEANER



## LARGE-SIZED APPLIANCES



## BOILERS AND CLIMATE SOLUTIONS



# SMALL ELECTRONICS

[View large photo from object](#)

- Tube frame 60x30
- Tabletop of painted MDF
- Holes in the tabletop for cables
- Niche for cables under the tabletop
- Podium and extension of chipboard
- Mobile podium on wheels

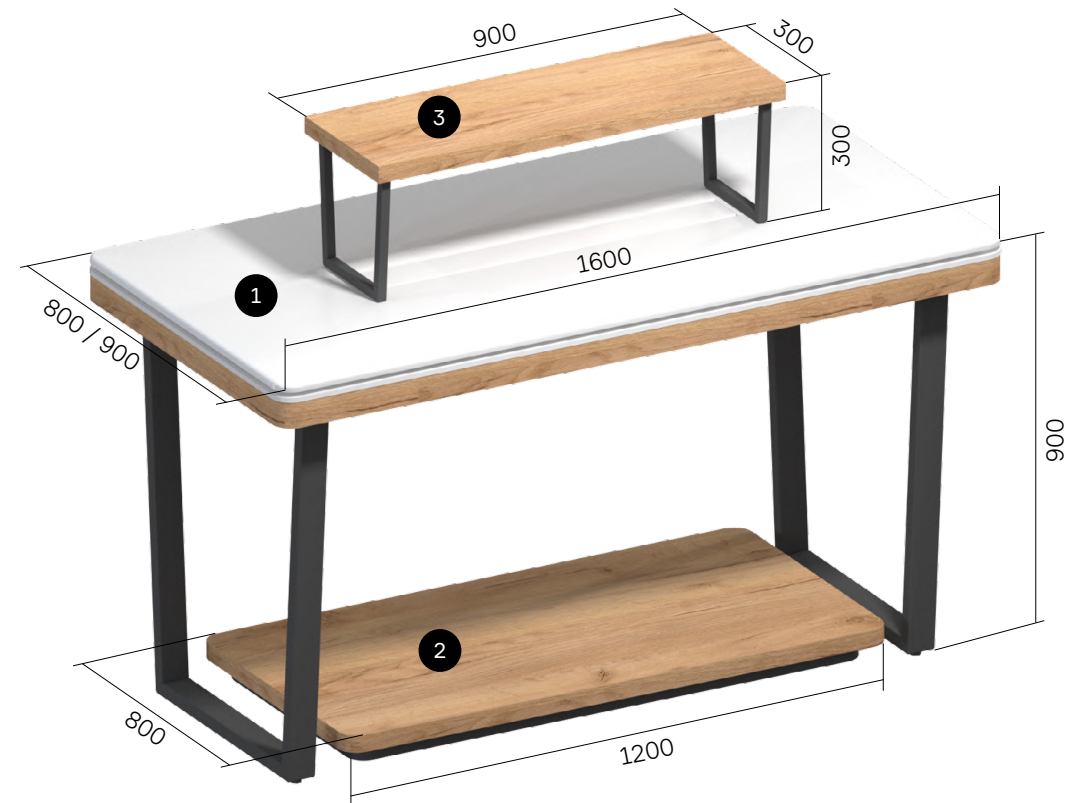


1 Rectangular table: **9945-711-04** (D – 800 mm)

Rectangular table: **9945-712-04** (D – 900 mm)

2 Podium for inventory: **9945-713-04**

3 Extension for the table: **9945-714-04**



# SMALL ELECTRONICS

[View large photo from object](#)

- Tube frame 60x30
- Tabletop of painted MDF
- Holes in the tabletop for cables
- Niche for cables under the tabletop



1 Radial table: **9945-715-04**



# SMALL ELECTRONICS

[View large photo from object](#)

- 2-level exposition
- 360° presentation
- Tube frame 60x30
- Tabletop of painted MDF
- Holes in the tabletop for cables
- Niche for cables under the tabletop
- LED lighting 6000 K



1 Round table: **9945-766-04** (ø – 1200 mm)

Round table: **9945-716-04** (ø – 1600 mm)





# SMALL ELECTRONICS

[View large photo from object](#)

- 2-level exposition
- Tube frame 60x30
- Tabletop of painted MDF
- Holes in the tabletop for cables
- Niche for cables under the tabletop
- LED lighting 7500 K
- Chipboard slatwall for cross-selling
- Zinc hooks 200, 300mm



1 Rectangular table: **9945-767-04** (W – 1500 mm)

Rectangular table: **1018-755-00** (W – 2000 mm)

Single hook with price-holder, zinc:

**1044-551-33** (D – 200 mm)

**1095-893-33** (D – 300 mm)

# SMALL ELECTRONICS

[View large photo from object](#)

- Stand of painted MDF
- Tube frame 60x30
- Tabletop of chipboard
- Holes in the tabletop for cables
- Niche for cables under the tabletop
- LED lighting 6000 K



1 Table for individual brands: **9945-792-04**

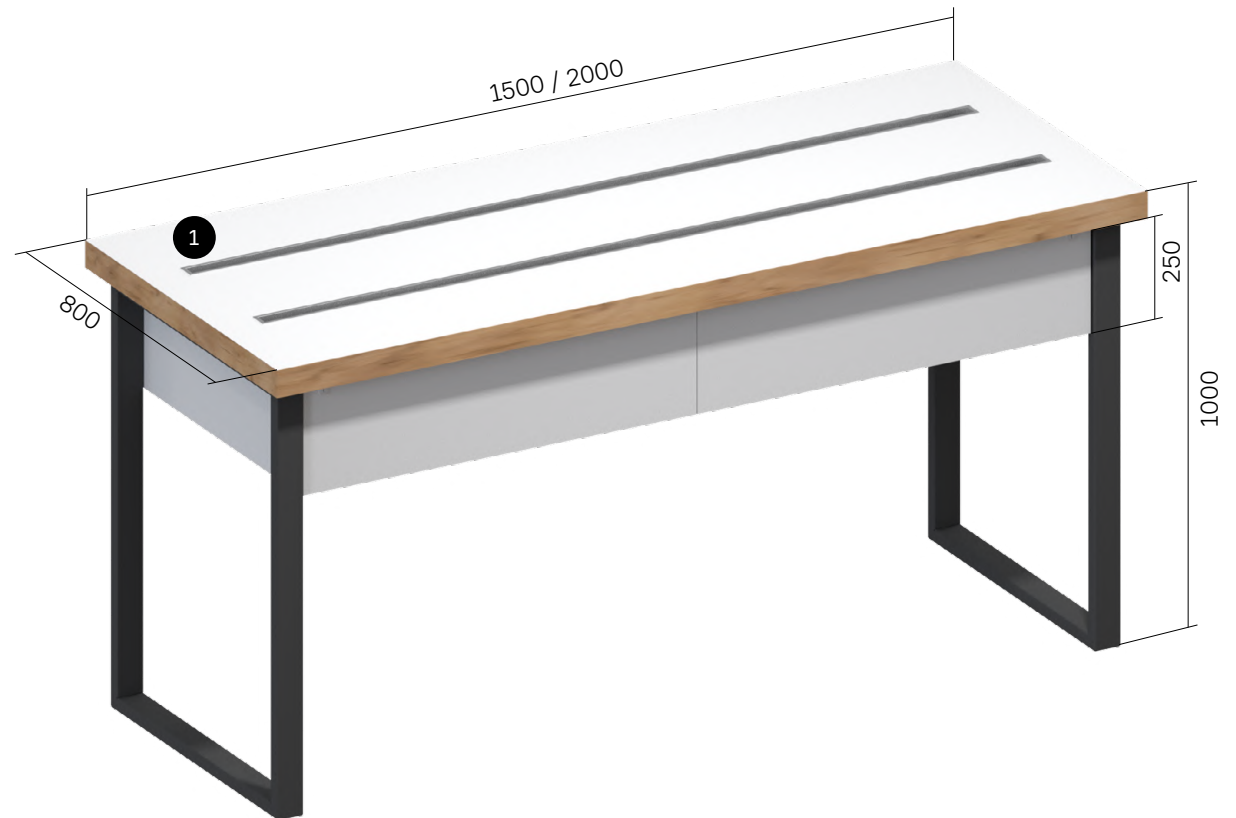


# SMALL ELECTRONICS

- Tube frame 60x30
- Tabletop of chipboard
- Holes in the tabletop for cables
- Niche for cables under the tabletop
- Drawer with lock for inventory

1 Rectangular table: **9947-547-04** (W – 1500)

Rectangular table: **9945-718-04** (W – 2000)



# SMALL ELECTRONICS

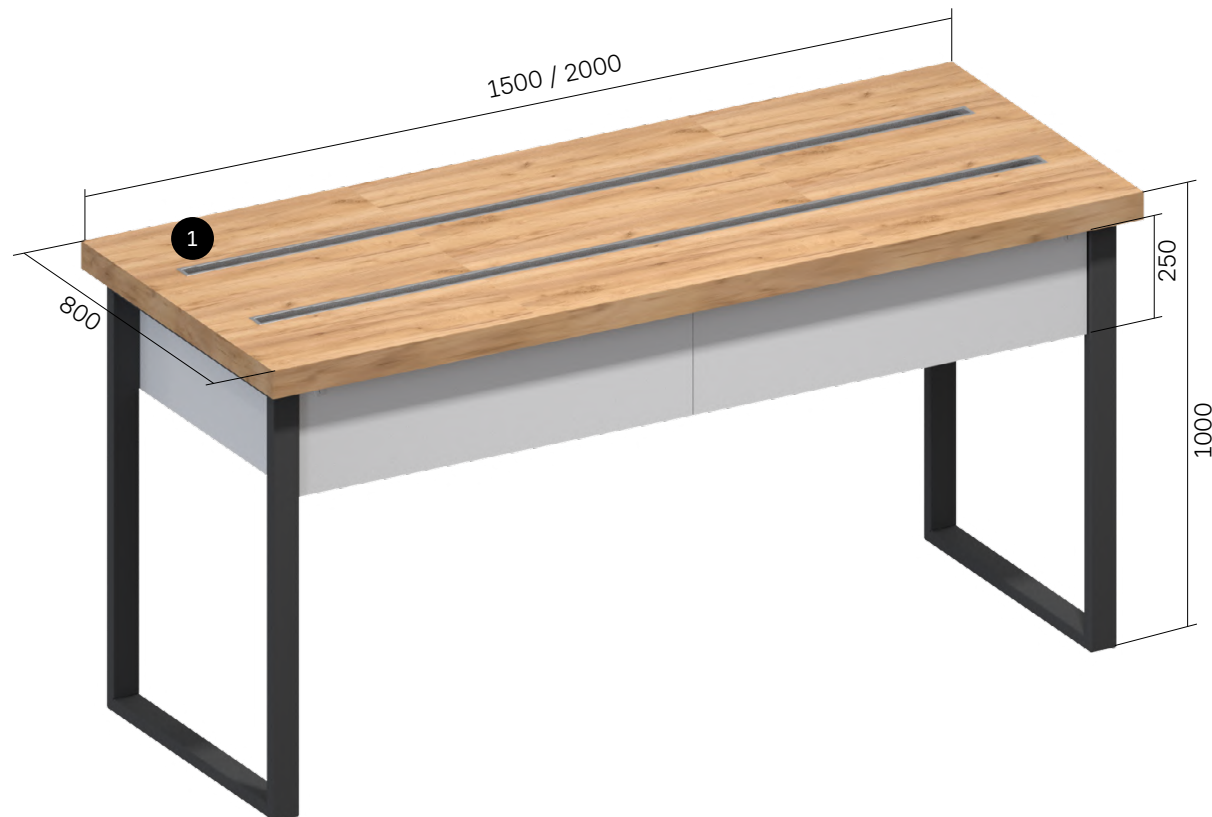
[View large photo from object](#)

- Tube frame 60x30
- Tabletop of chipboard
- Holes in the tabletop for cables
- Niche for cables under the tabletop
- Drawer with lock for inventory



1 Rectangular table: **9945-719-04** (W – 1500)

Rectangular table: **9945-720-04** (W – 2000)



# SMALL ELECTRONICS

[View large photo from object](#)

- Tube frame 60x30
- Tabletop of chipboard
- Holes in the tabletop for cables
- Niche for cables under the tabletop
- Holder for cross-selling



1 Rectangular table: **9945-721-04** (W – 1500)

Rectangular table: **9945-722-04** (W – 2000)



# SMALL ELECTRONICS

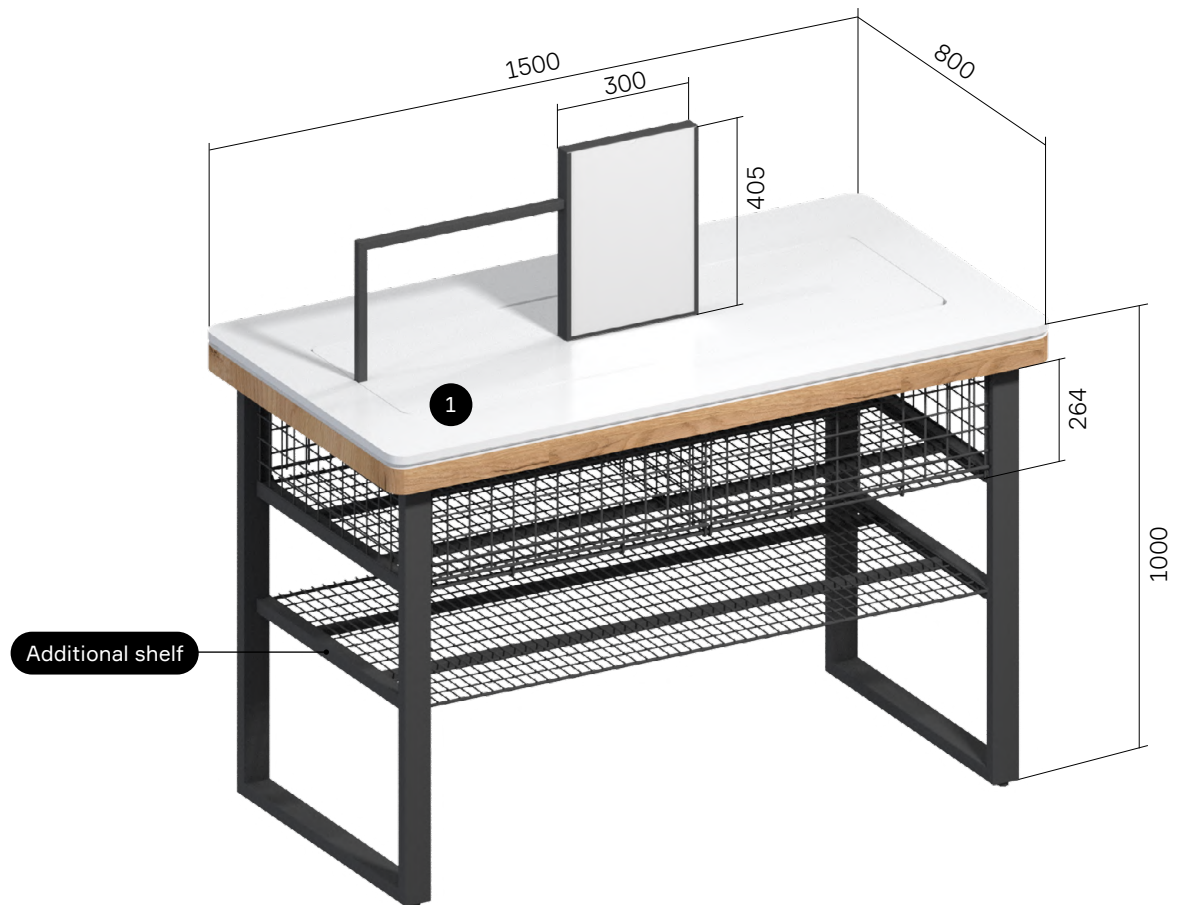
[View large photo from object](#)

- Tube frame 60x30
- Tabletop of chipboard
- Holes in the tabletop for cables
- Niche for cables under the tabletop
- Wire drawer with lock for inventory
- LED lighting 6000 K
- Promotional light panel



1 Rectangular table: **1027-877-10**

Rectangular table (without additional shelf):  
**1050-325-10**



# SMALL ELECTRONICS

[View large photo from object](#)

- 2-level exposition
- 360° presentation
- Tube frame 60x30
- Tabletop of chipboard
- Holes in the tabletop for cables
- Niche for cables under the tabletop
- Drawer with lock for inventory
- Chipboard slatwall for cross-selling
- Zinc hooks 100, 200mm



1 Round table: **9945-723-04**

Single hook with price-holder, zinc:

**1044-549-33** (D – 100 mm)

**1044-551-33** (D – 200 mm)



# SMALL ELECTRONICS

[View large photo from object](#)

- 360° presentation
- Tube frame 60x30
- Tabletop of chipboard
- Holes in the tabletop for cables
- Niche for cables under the tabletop



1 Round table: 9945-764-04





# SMALL ELECTRONICS

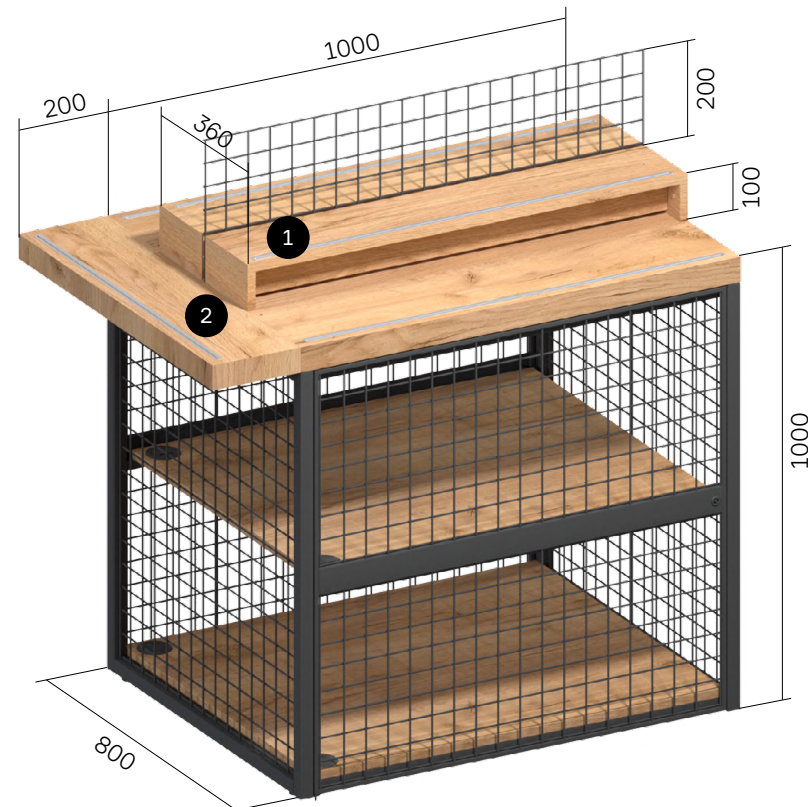
[View large photo from object](#)

- 2-level exposition
- Tube frame 30x30
- Tabletop of chipboard
- Holes in the tabletop for cables
- Niche for cables under the tabletop
- Cell with lock for inventory
- Slot for installation of price holders



1 Rectangular table with extension type 1:  
**9945-794-04**

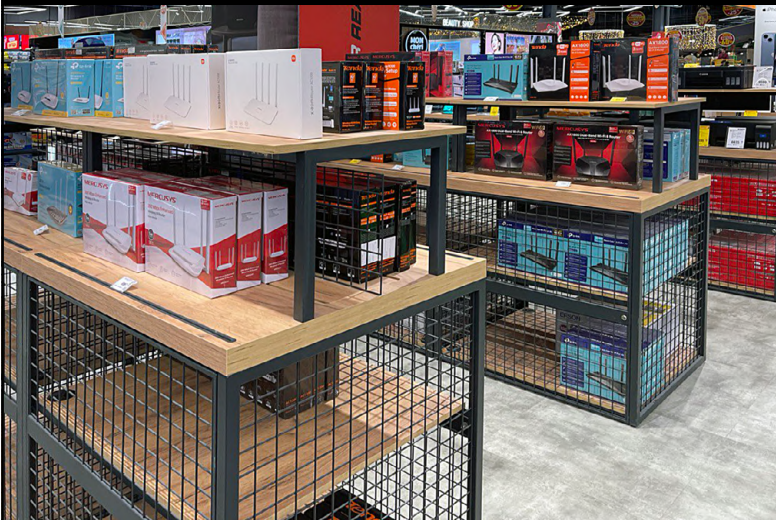
2 Additional end shelf: **1021-562-10**



# SMALL ELECTRONICS

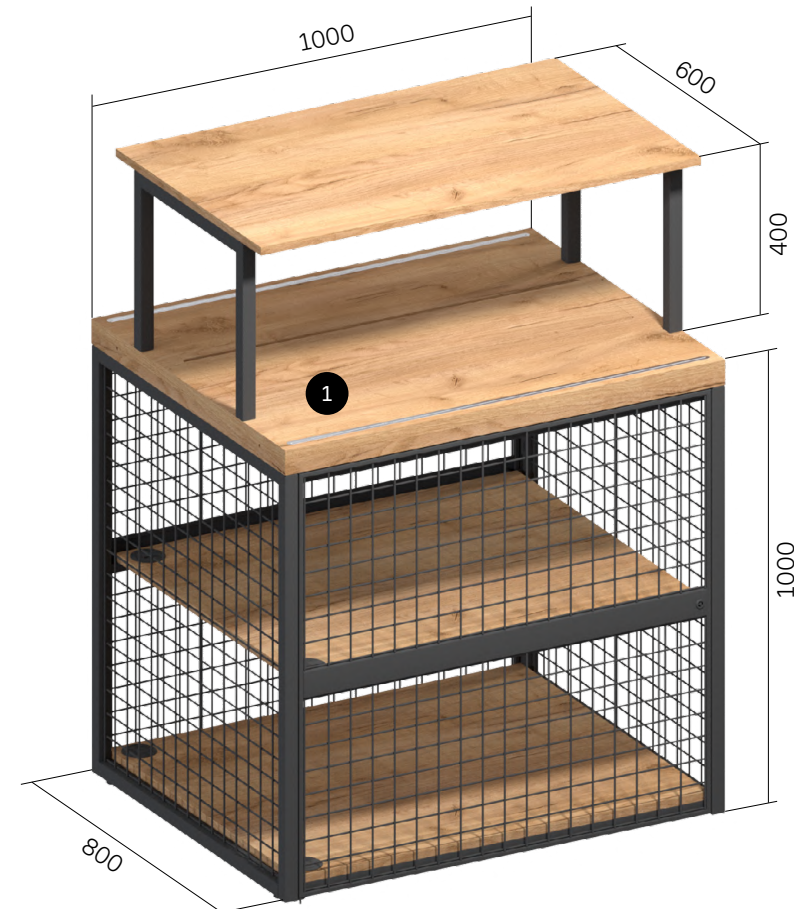
[View large photo from object](#)

- 2-level exposition
- Tube frame 30x30
- Tabletop of chipboard
- Holes in the tabletop for cables
- Niche for cables under the tabletop
- Cell with lock for inventory
- Slot for installation of price holders



1 Rectangular table with extension type 2:  
**9945-795-04**

Additional end shelf: **1021-562-10**



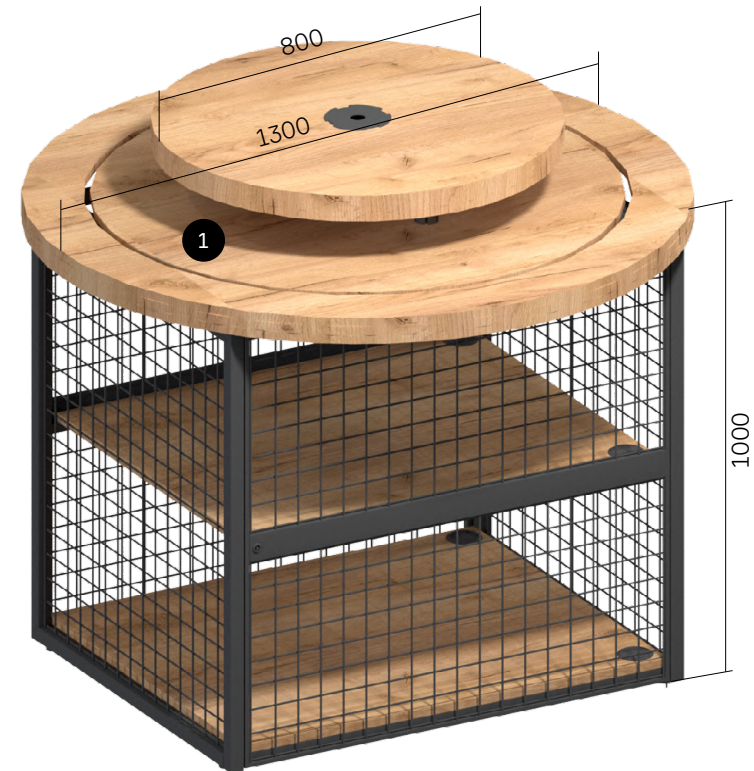
# SMALL ELECTRONICS

[View large photo from object](#)

- 2-level exposition
- Tube frame 30x30
- Tabletop of chipboard
- Holes in the tabletop for cables
- Niche for cables under the tabletop
- Cell with lock for inventory



1 Round table: 9945-793-04



# SMALL ELECTRONICS

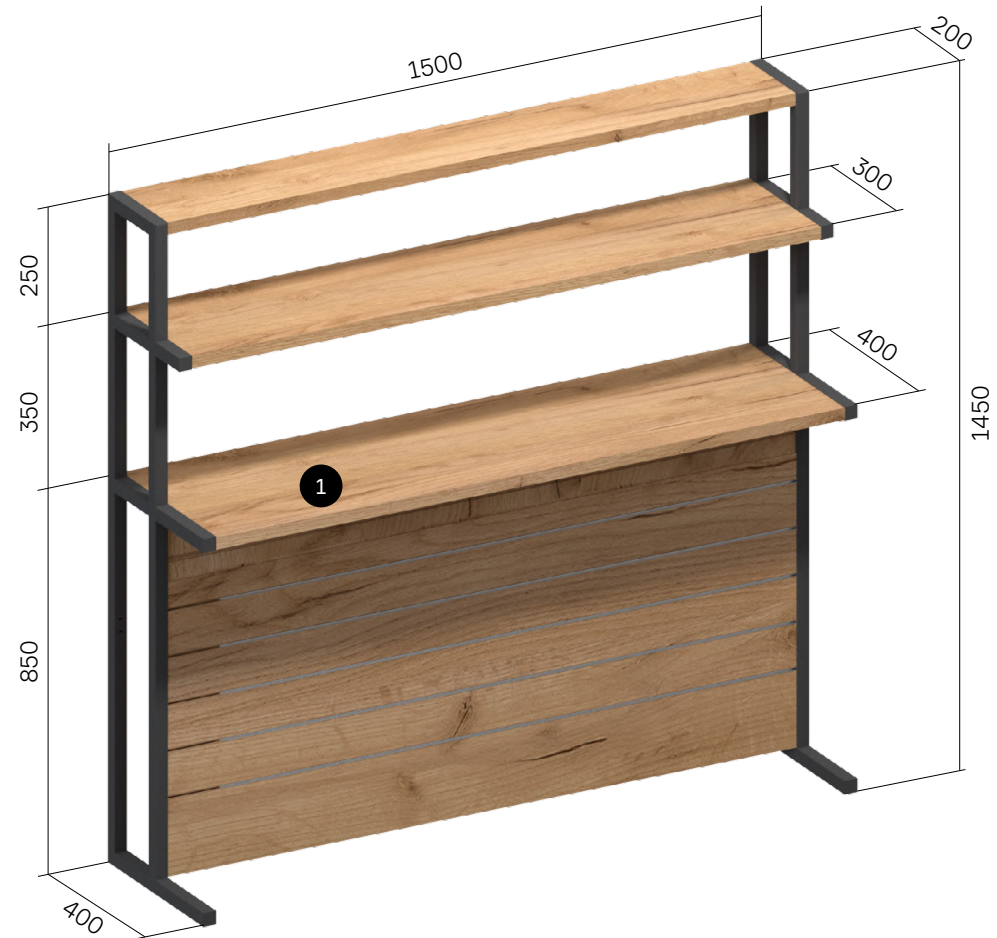
- 3-level exposition
- Chipboard slatwall for cross-selling
- Tube frame 30x30
- Tabletop of chipboard
- Zinc hooks 100, 200 mm

1 Three-level stand: **9945-729-04**

Single hook with price-holder, zinc:

**1044-549-33** (D – 100 mm)

**1044-551-33** (D – 200 mm)



# ELECTRONIC ACCESSORIES

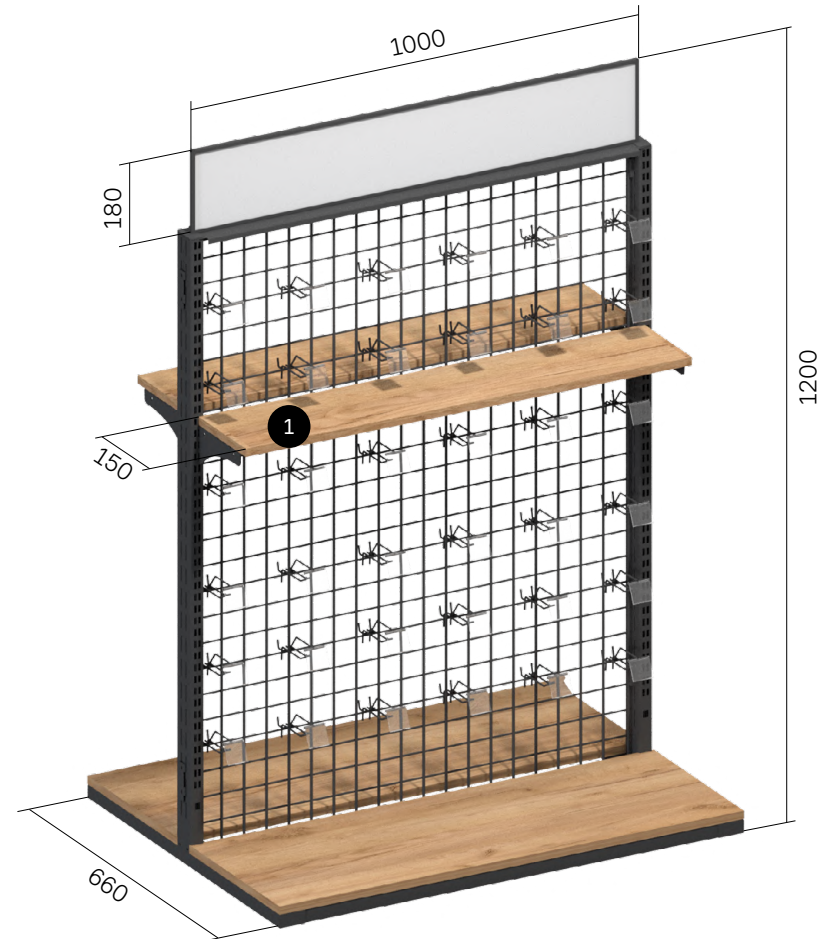
- Chipboard shelves
- Middle wire panel
- Promotion canopy

1 Stand for accessories: **9945-796-04**

Single hook with price-holder, zinc:

**1081-431-33** (D – 100 mm)

**1081-427-33** (D – 200 mm)



# ELECTRONIC ACCESSORIES

[View large photo from object](#)

- Tube frame 60x30
- Chipboard slatwall
- Zinc hooks 100, 200 mm

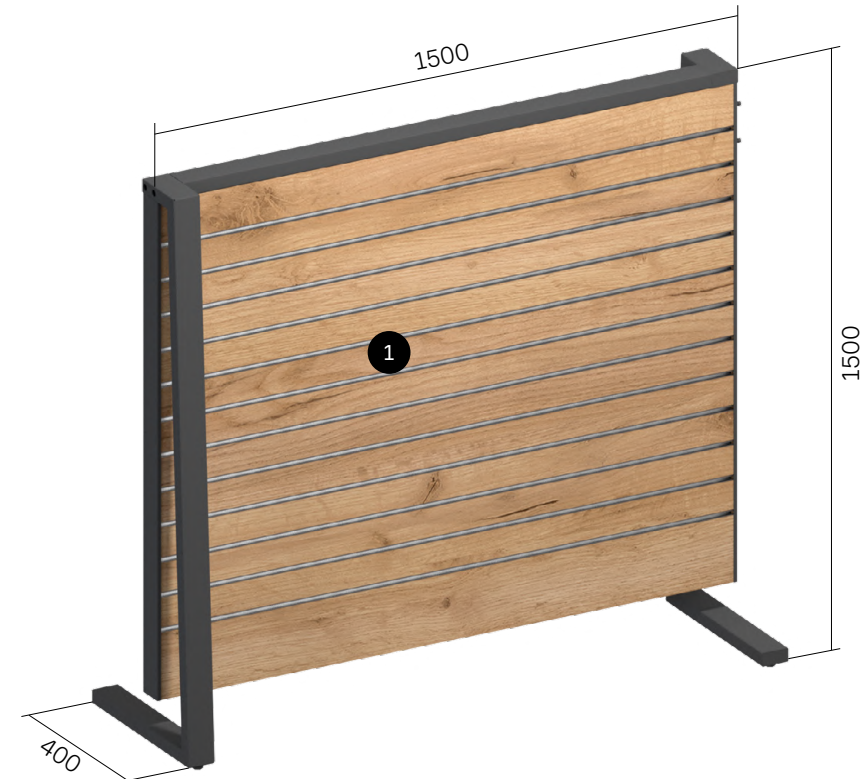


1 Stand for accessories: **9945-770-04**

Single hook with price-holder, zinc:

**1044-549-33** (D – 100 mm)

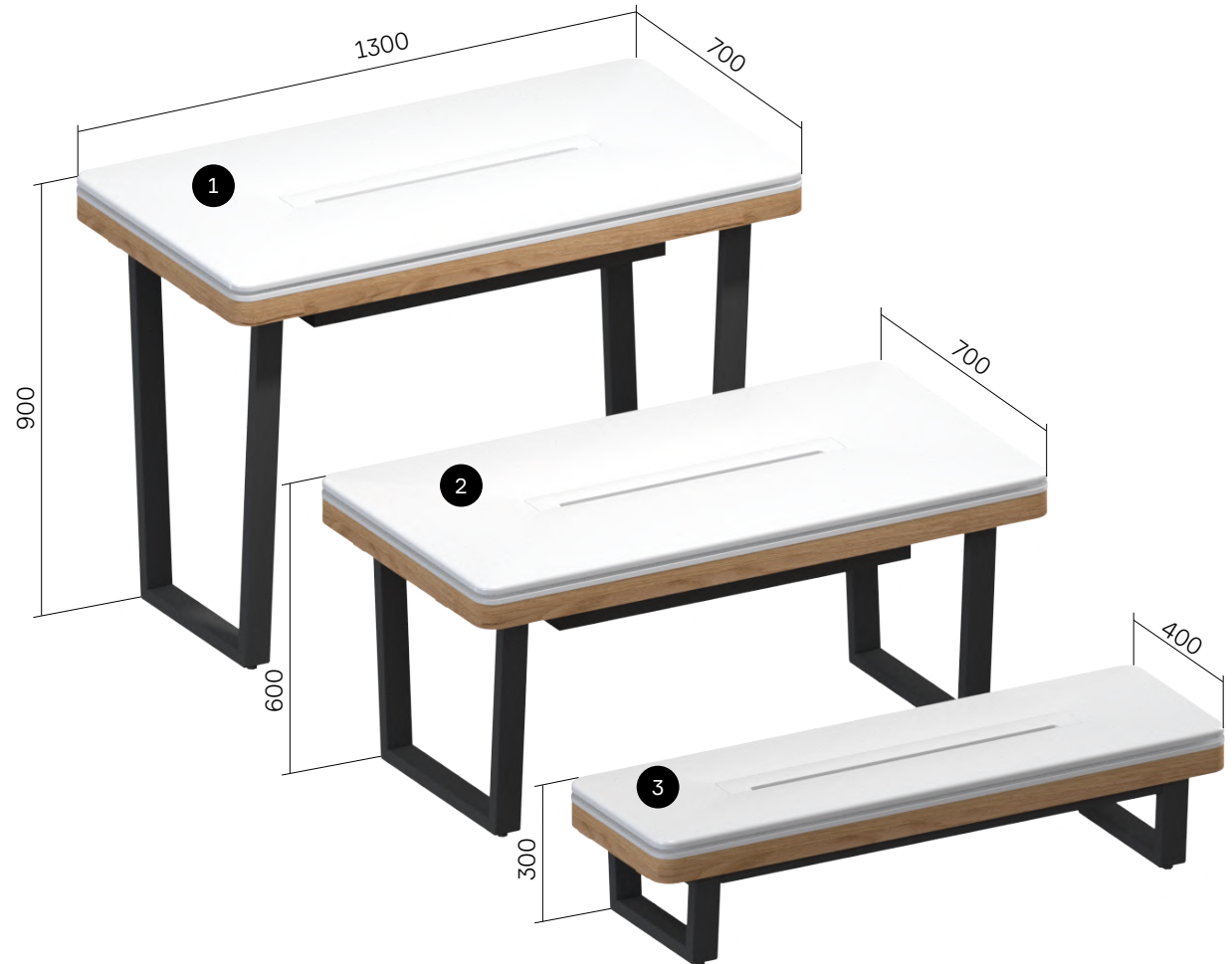
**1044-551-33** (D – 200 mm)



- Tube frame 60x30
- Tabletop of painted MDF
- Holes in the tabletop for cables
- Niche for cables under the tabletop



- ① Rectangular table: **9945-731-04**
- ② Rectangular table: **9945-731-04**
- ③ Rectangular table: **9945-733-04**



# TV

[View large photo from object](#)

- Adjustable frame height, pitch 100 mm
- Tube frame 60x30
- Tabletop of chipboard
- Holes in the tabletop for cables
- Niche for cables under the tabletop



1 Rectangular table: **1023-767-10**





- Tube frame 30x30
- Tabletop of chipboard
- Holes in the tabletop for cables
- Niche for cables under the tabletop

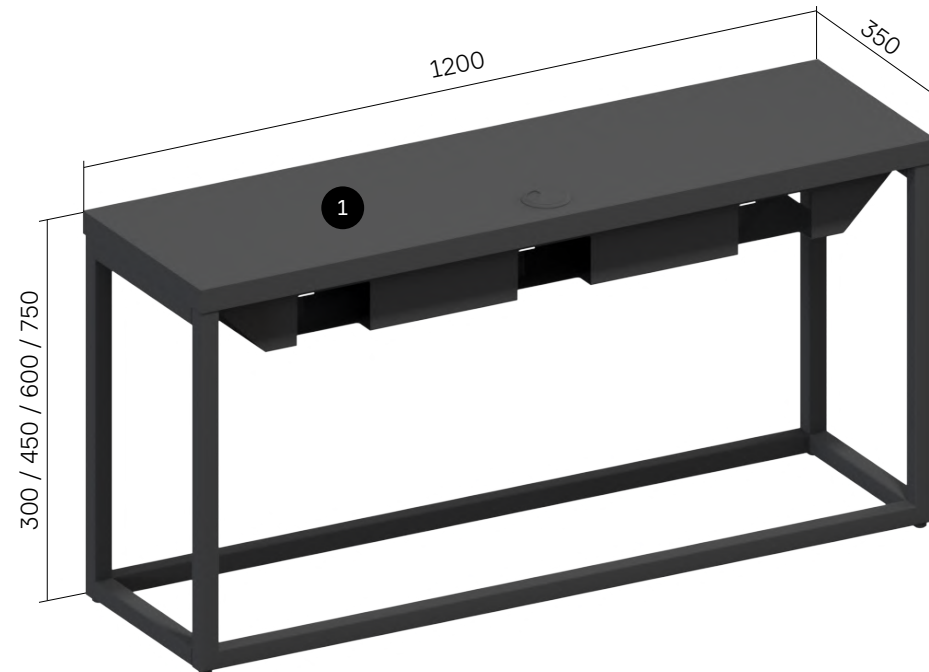


1 Rectangular table: **9961-847-10** (H – 300)

Rectangular table: **9961-848-10** (H – 450)

Rectangular table: **9961-849-10** (H – 600)

Rectangular table: **9953-416-10** (H – 750)



# TV

[View large photo from object](#)

- Promotional light panel
- Tube frame 30x30
- Tabletop of chipboard
- Holes in the tabletop for cables
- Niche for cables under the tabletop

1 Rectangular table: **9961-975-10**



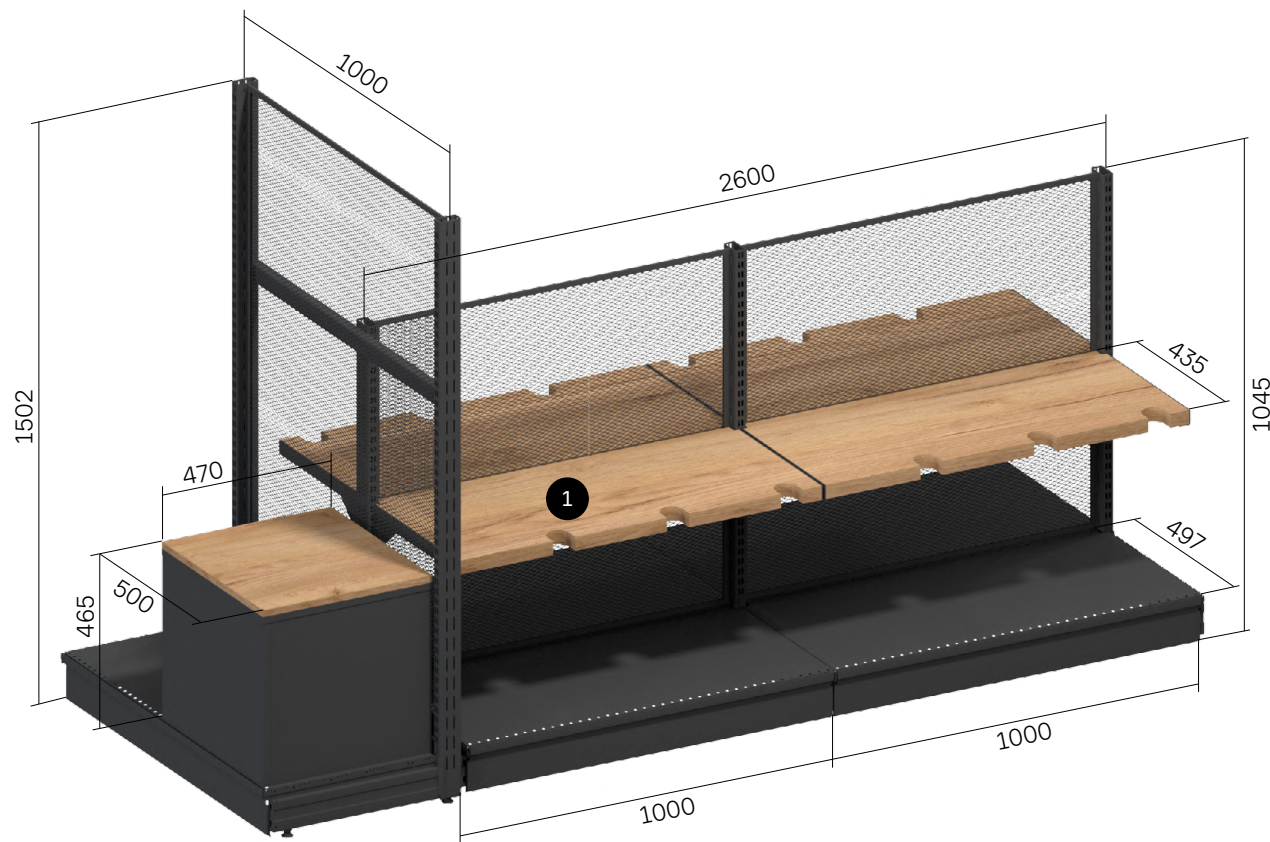
# VACUUM CLEANER

[View large photo from object](#)

- Metal frame
- Middle panel from mesh (rhombus 28x13 mm)
- Chipboard shelves
- Chipboard stand



1 Gondola unit: **9945-834-04**



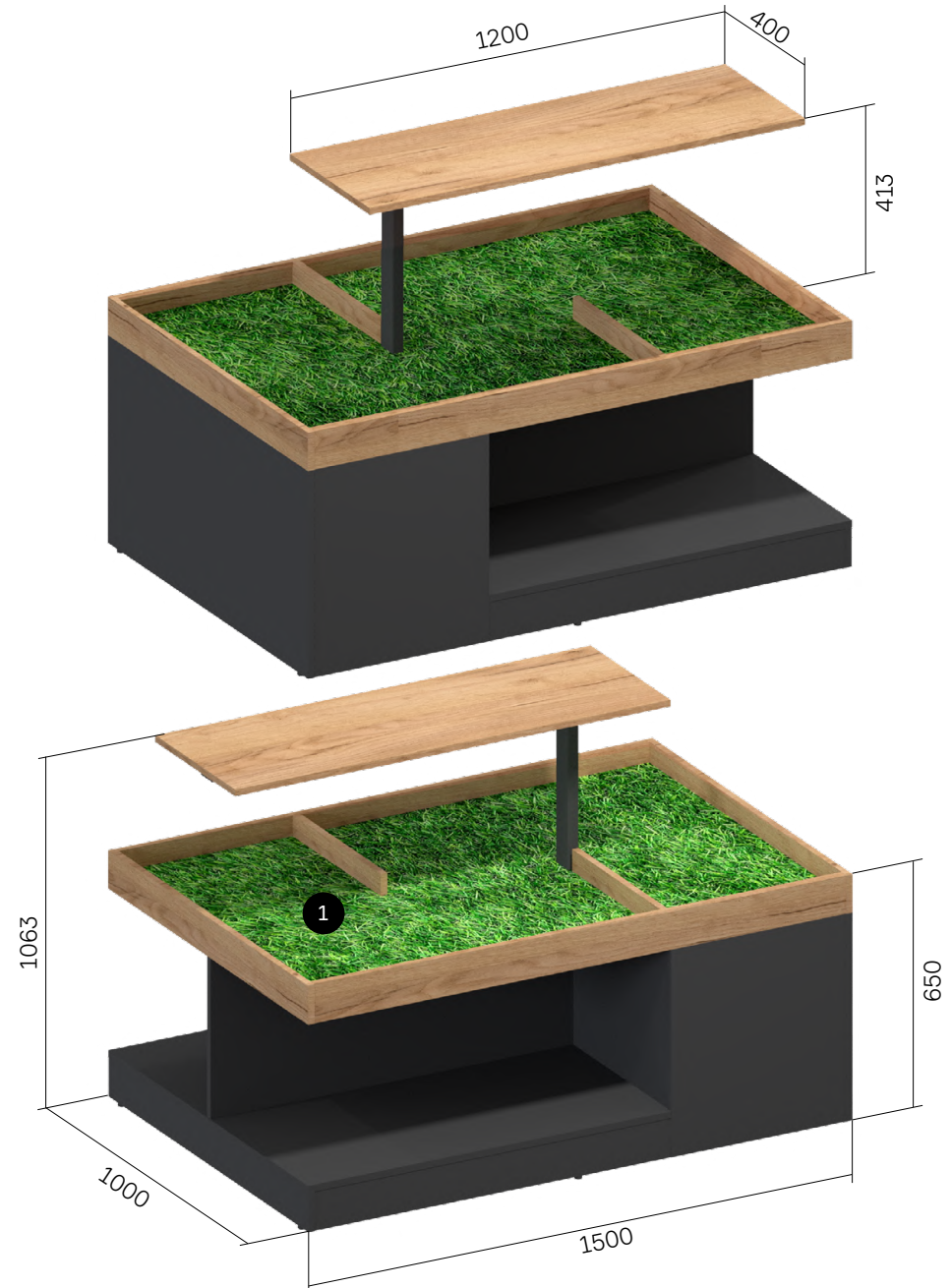
# ROBOT VACUUM CLEANER

[View large photo from object](#)

- 2-level exposition
- Chipboard frame
- Tabletop of chipboard
- Shelves for inventory
- Artificial grass

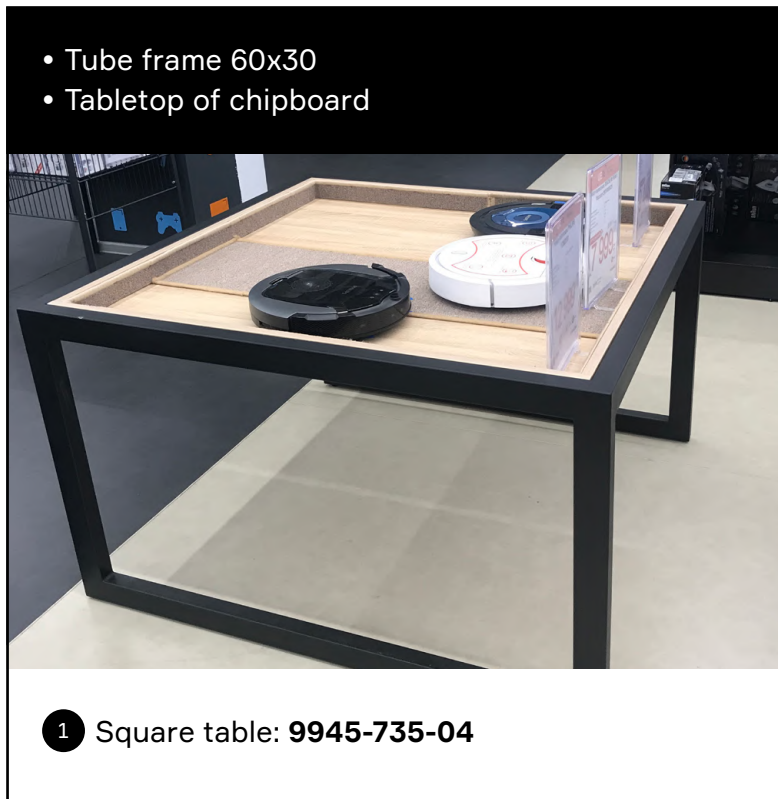


1 Rectangular table: 9945-780-04



# ROBOT VACUUM CLEANER

[View large photo from object](#)



# LARGE-SIZED APPLIANCES

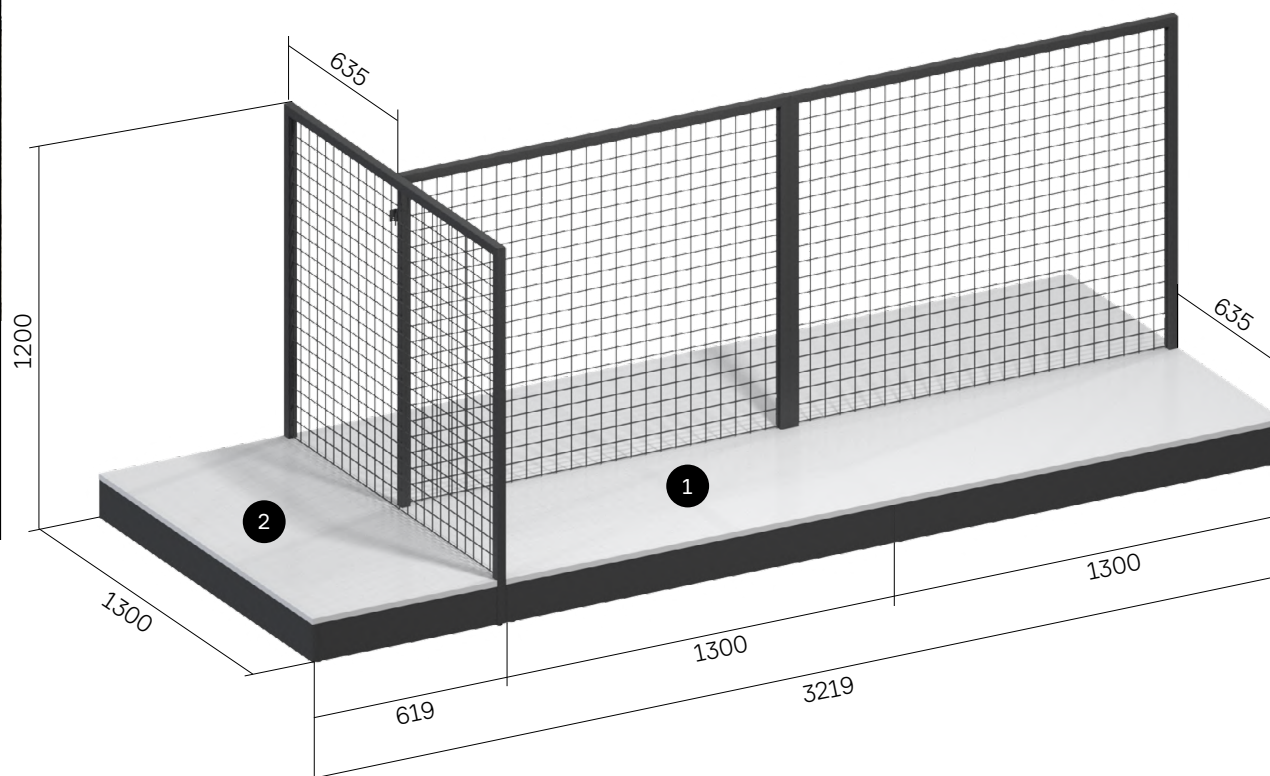
[View large photo from object](#)

- Chipboard podium
- Tube frame 30x30
- Middle wire panel



1 Podium: **1021-485-10** (D – 1300 mm)

2 Podium end: **1021-486-10** (D – 650 mm)



# LARGE-SIZED APPLIANCES

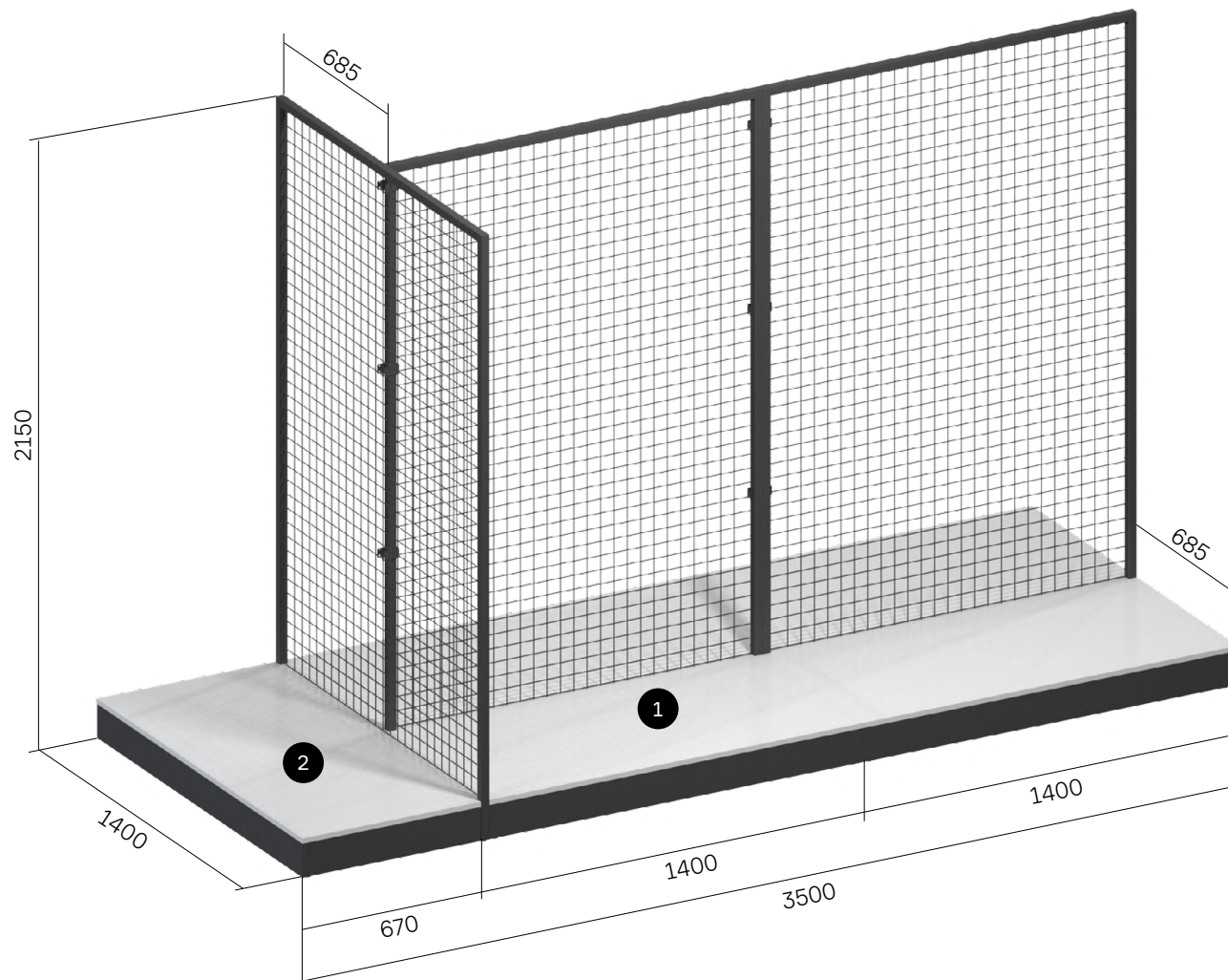
[View large photo from object](#)

- Chipboard podium
- Tube frame 30x30
- Middle wire panel



1 Podium: **1026-662-10** (D – 1400 mm)

2 Podium end: **1026-663-10** (D – 700 mm)



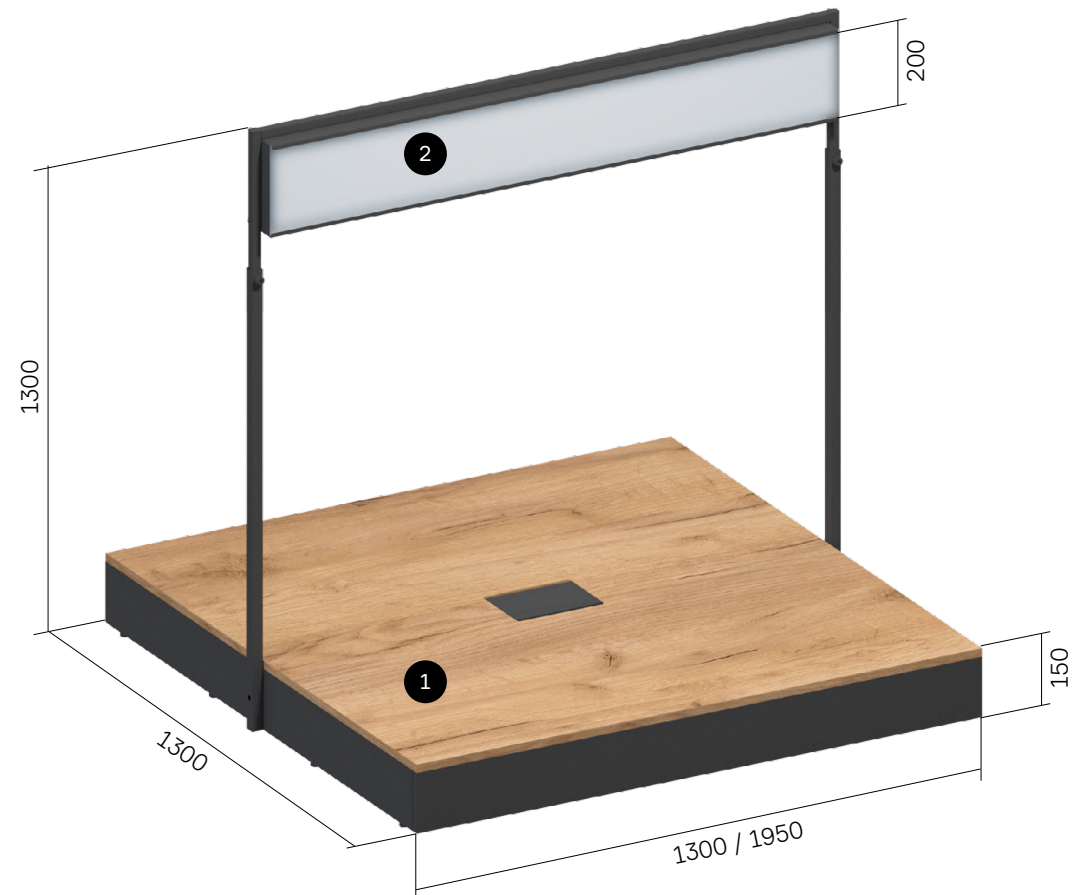
# LARGE-SIZED APPLIANCES

[View large photo from object](#)

- Chipboard podium
- Tube frame 30x30
- Holes in the podium for cables
- Promotional light panel



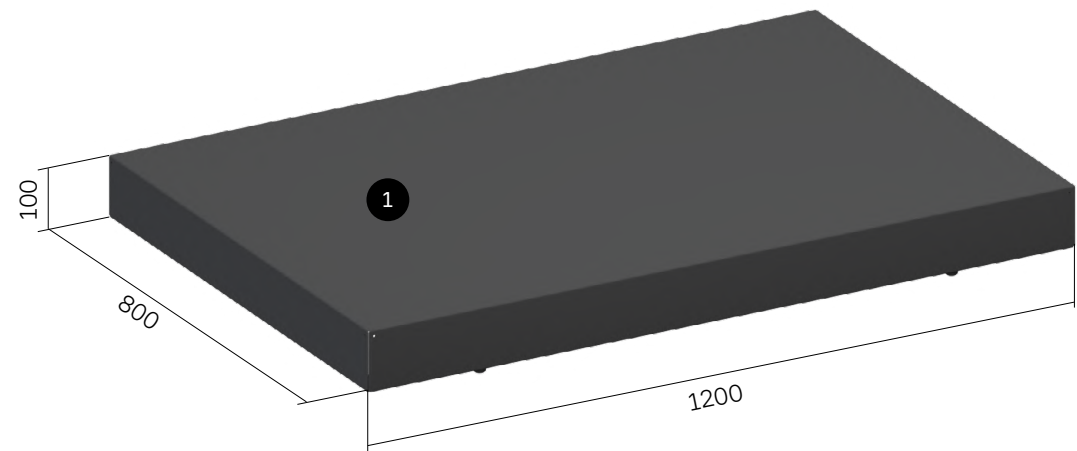
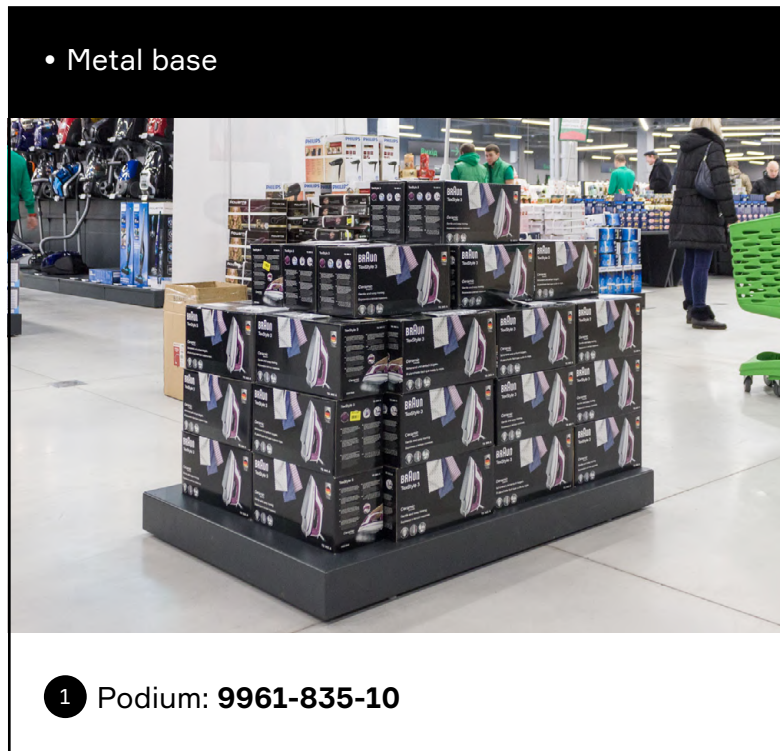
- 1 Podium with frame: **9945-781-04** (W – 1300)  
Podium with frame: **9945-782-04** (W – 1950)  
Podium without frame: **9945-787-04** (H – 150)
- 2 Promotional panel: **1017-342-10**





# PODIUM FOR LIGHT LOAD

[View large photo from object](#)



# LARGE-SIZED APPLIANCES

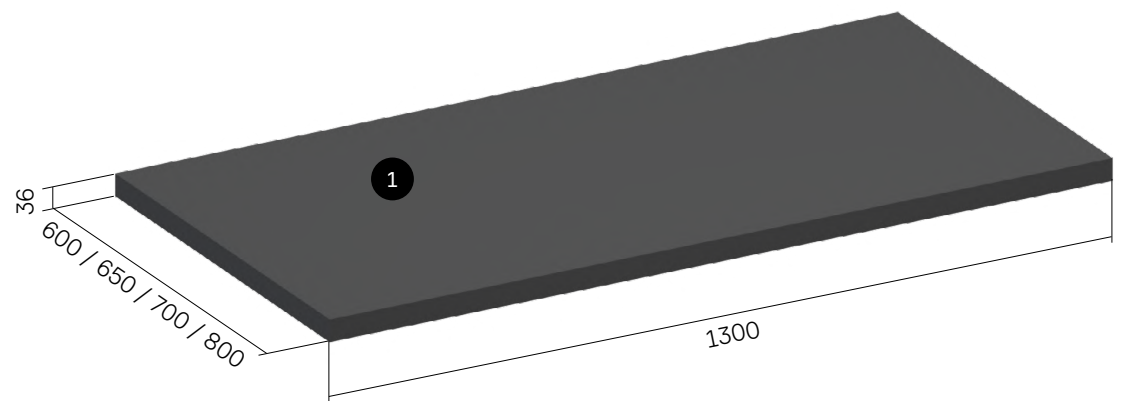
- Chipboard base

1 Podium: **9945-783-04** (D – 600 mm)

Podium: **9945-784-04** (D – 650 mm)

Podium: **9945-785-04** (D – 700 mm)

Podium: **9945-786-04** (D – 800 mm)

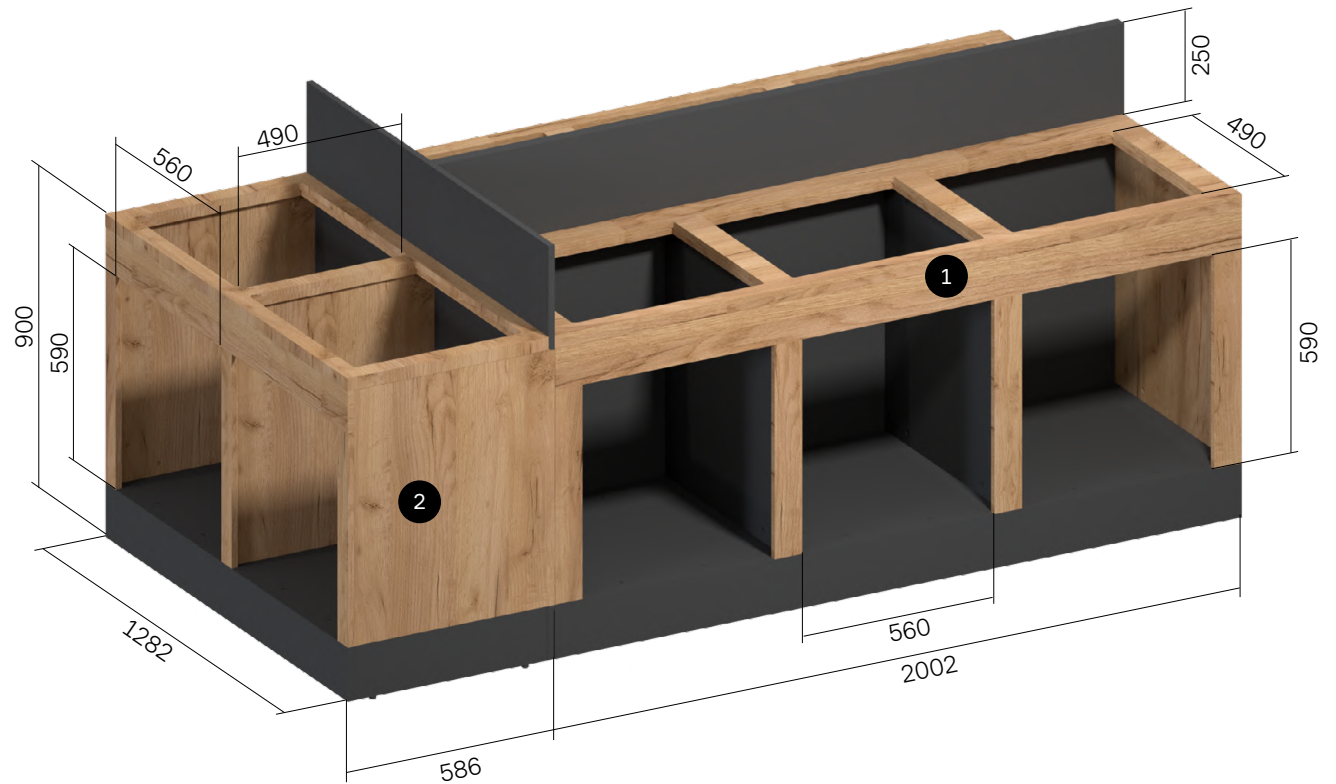


# BUILT-IN APPLIANCES

- Chipboard cabinet

1 Cabinet for ovens: **1022-487-00** (W – 2000)

2 End cabinet for ovens: **1022-486-00** (W – 1280)



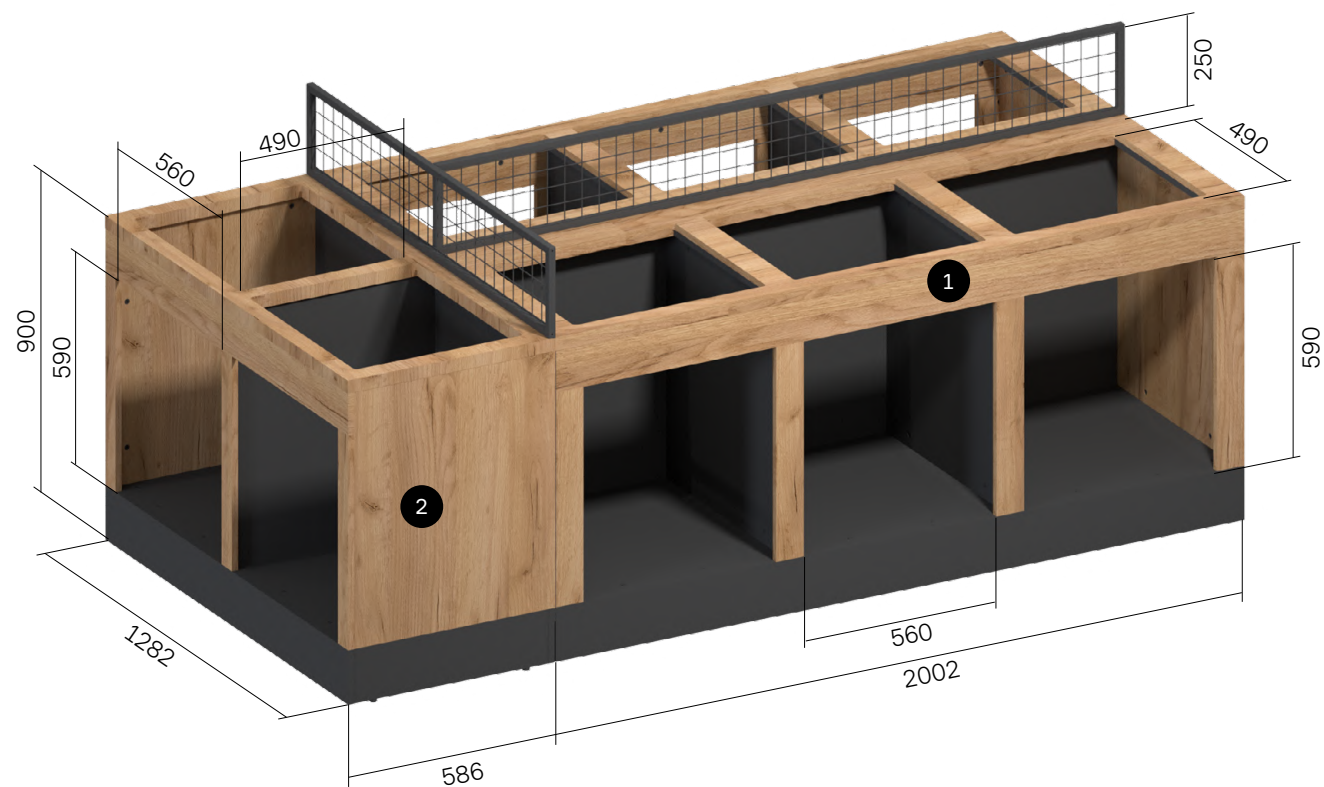
# BUILT-IN APPLIANCES

[View large photo from object](#)

- Chipboard cabinet
- Wire extension in tube frame 30\*30



- 1 Cabinet for ovens: **9945-801-04** (W – 2000)
- 2 End cabinet for ovens: **9945-802-04** (W – 1280)



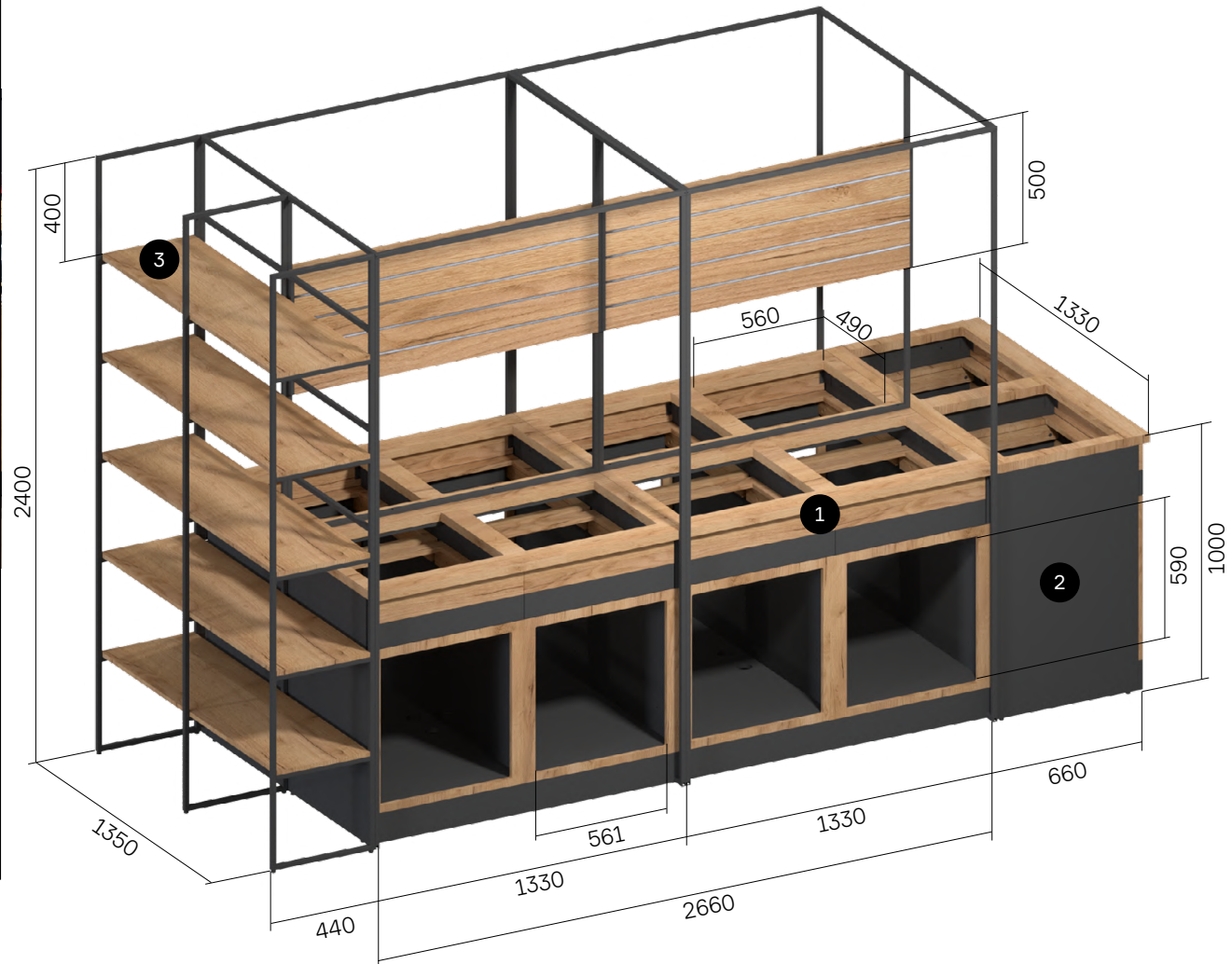
# BUILT-IN APPLIANCES

[View large photo from object](#)

- Chipboard cabinet
- Tube frame 20\*20
- Chipboard slatwall



- 1 Cabinet for ovens and cooker hoods: **9945-799-04**
- 2 End cabinet for ovens: **9945-800-04**
- 3 End shelving: **9945-743-04**



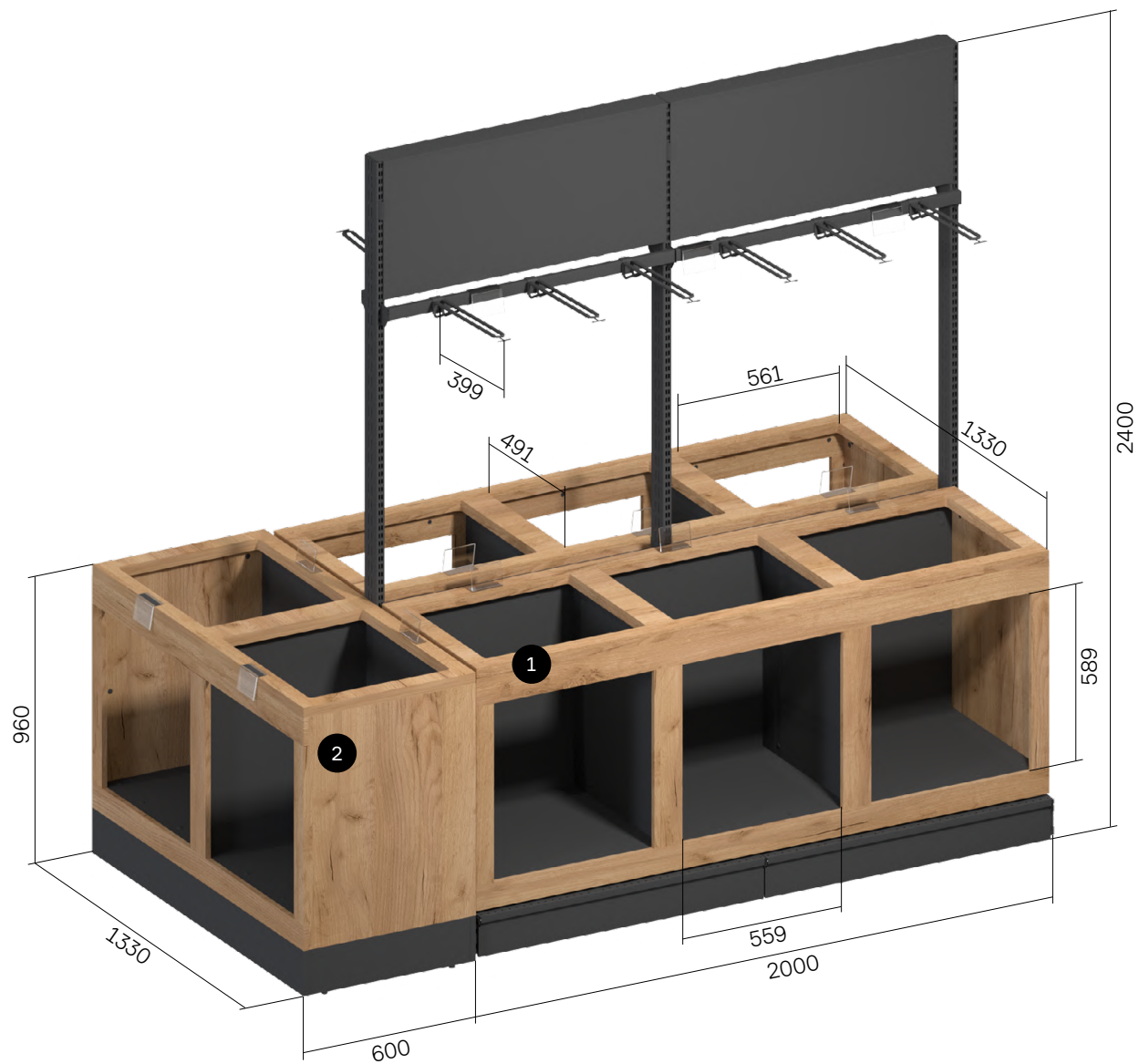
# BUILT-IN APPLIANCES

[View large photo from object](#)

- Metal frame
- Chipboard cabinet
- Hooks for cooker hoods, 12 pcs.
- Price holders



- 1 Cabinet for ovens and cooker hoods: **9945-805-04**
- 2 End cabinet for ovens: **9945-806-04**



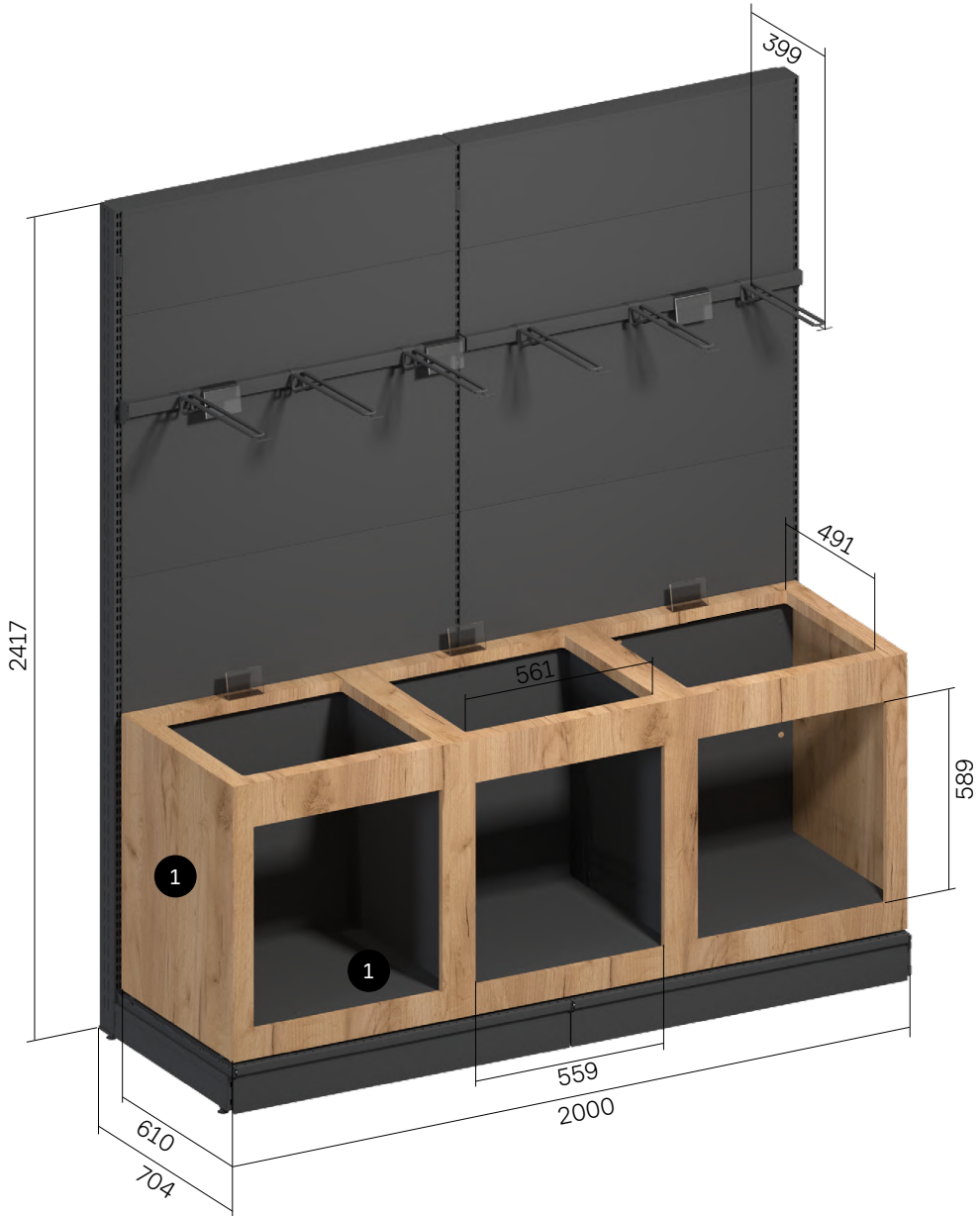
# BUILT-IN APPLIANCES

[View large photo from object](#)

- Metal frame
- Chipboard cabinet
- Hooks for cooker hoods, 6 pcs.
- Price holders



1 Cabinet for ovens and cooker hoods:  
**9945-805-04**



# BUILT-IN APPLIANCES

[View large photo from object](#)

- Metal frame
- Chipboard cabinet
- LED lighting 6000 K
- Electrical socket, 4 pcs.
- Chipboard slatwall
- Maximum loading on slatwall – 400 kg
- Maximum loading to hooks – 25 kg
- Promotional light panel

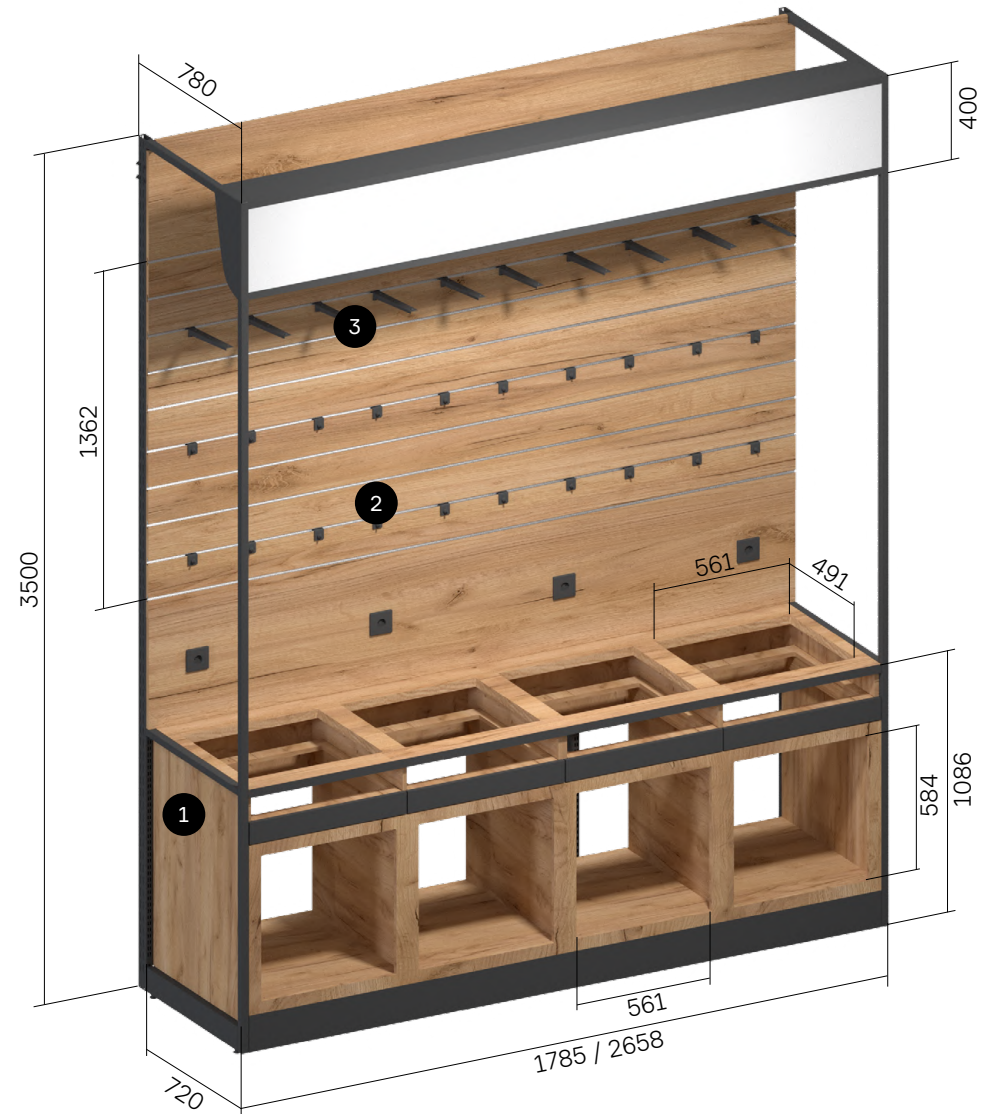


1 Cabinet for ovens and cooker hoods: **9945-809-04** (W – 1785)

Cabinet for ovens and cooker hoods: **9945-808-04** (W – 2685)

2 Hooks for cooker hoods: **1026-594-65**

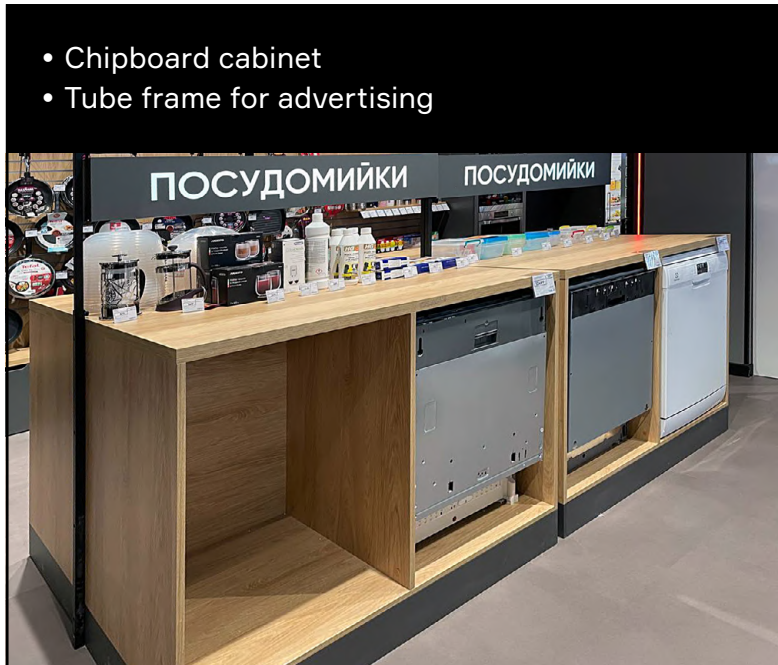
3 Hooks for cooker hoods: **1026-595-33**





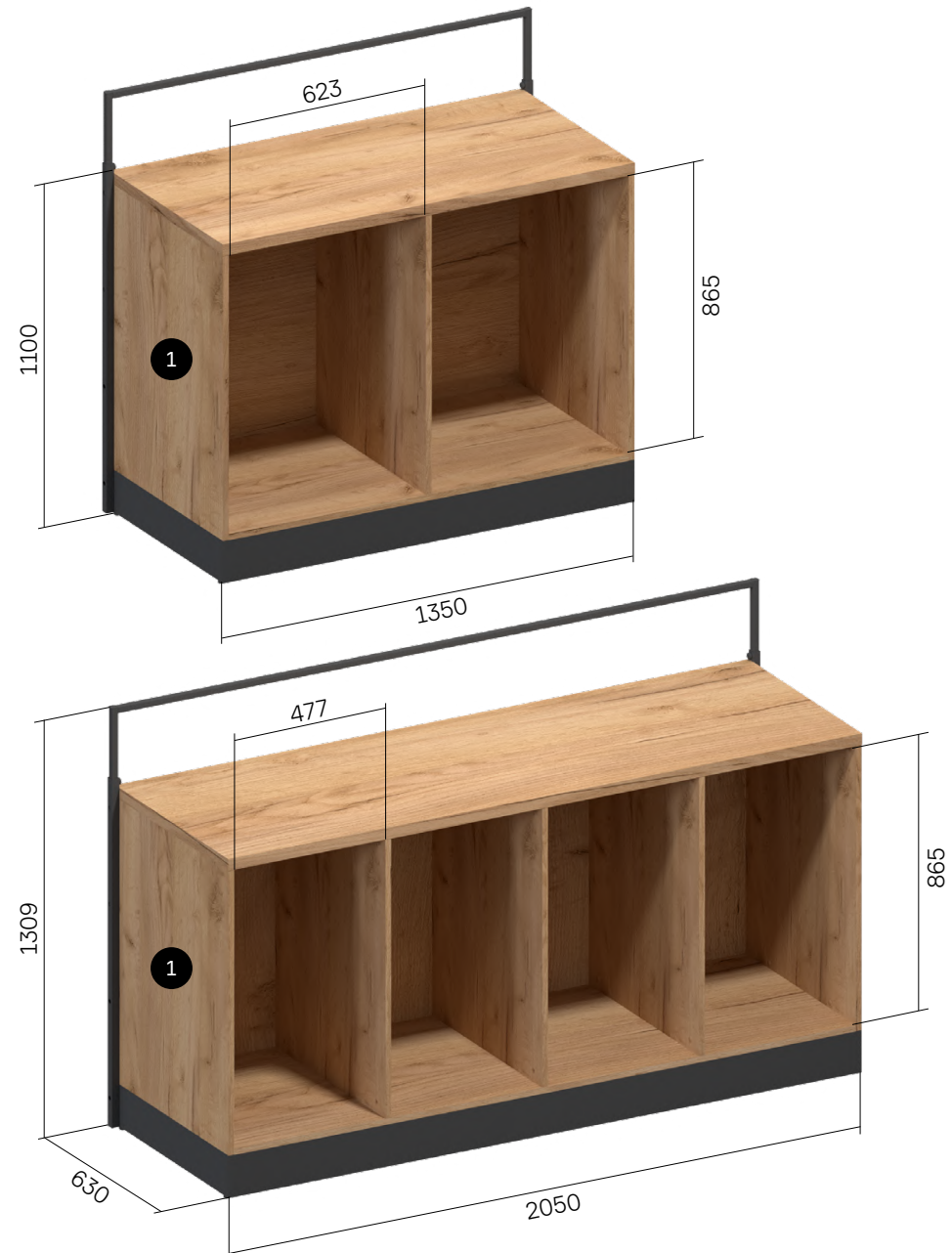
# BUILT-IN APPLIANCES

[View large photo from object](#)



1 Cabinet for built-in dishwashers:  
**9945-810-04** (W – 1350)

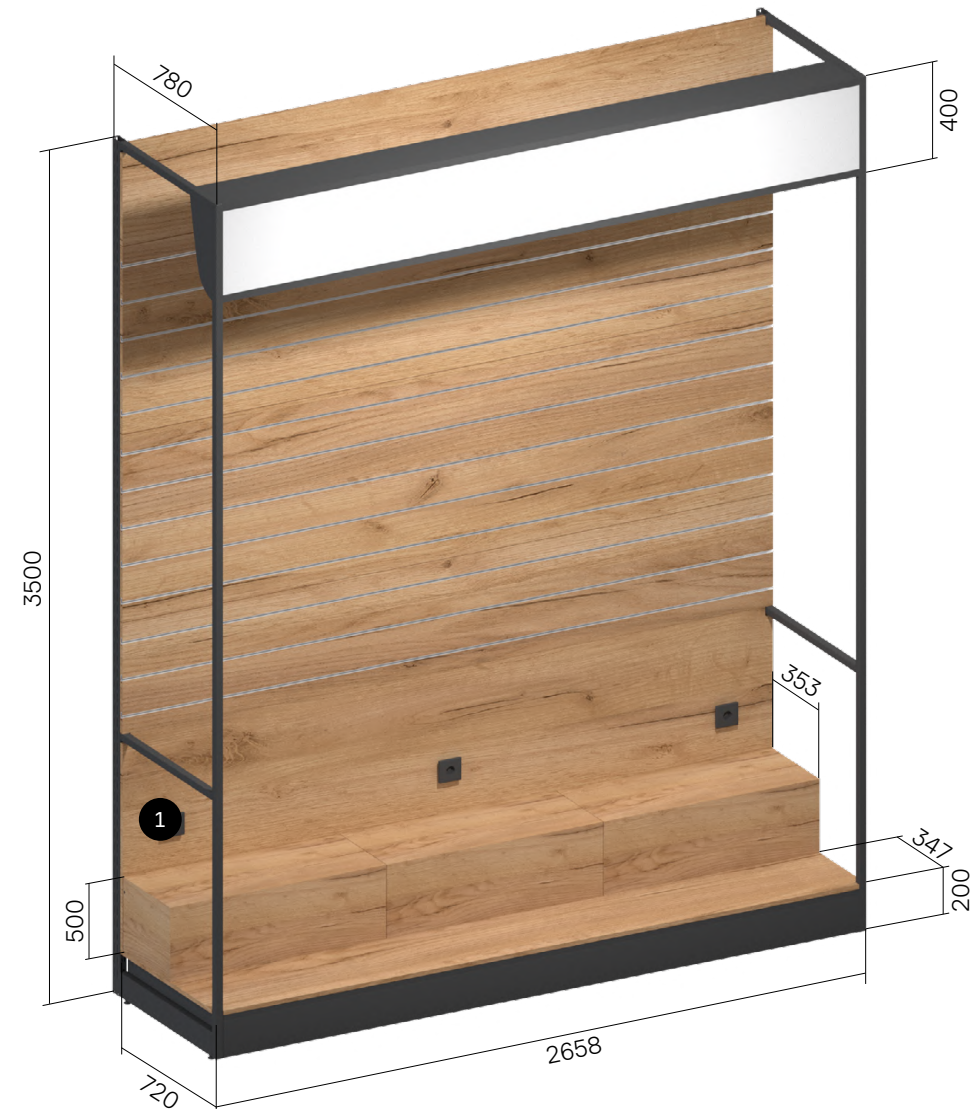
Cabinet for built-in dishwashers:  
**9945-811-04** (W – 2050)



# STANDS FOR BOILERS AND CLIMATE SOLUTIONS (CONDITIONERS, AIR PURIFIER)

- Metal frame
- Chipboard podium
- Electrical socket, 3 pcs.
- Chipboard slatwall
- Promotional light panel

1 Stand: 9945-812-04



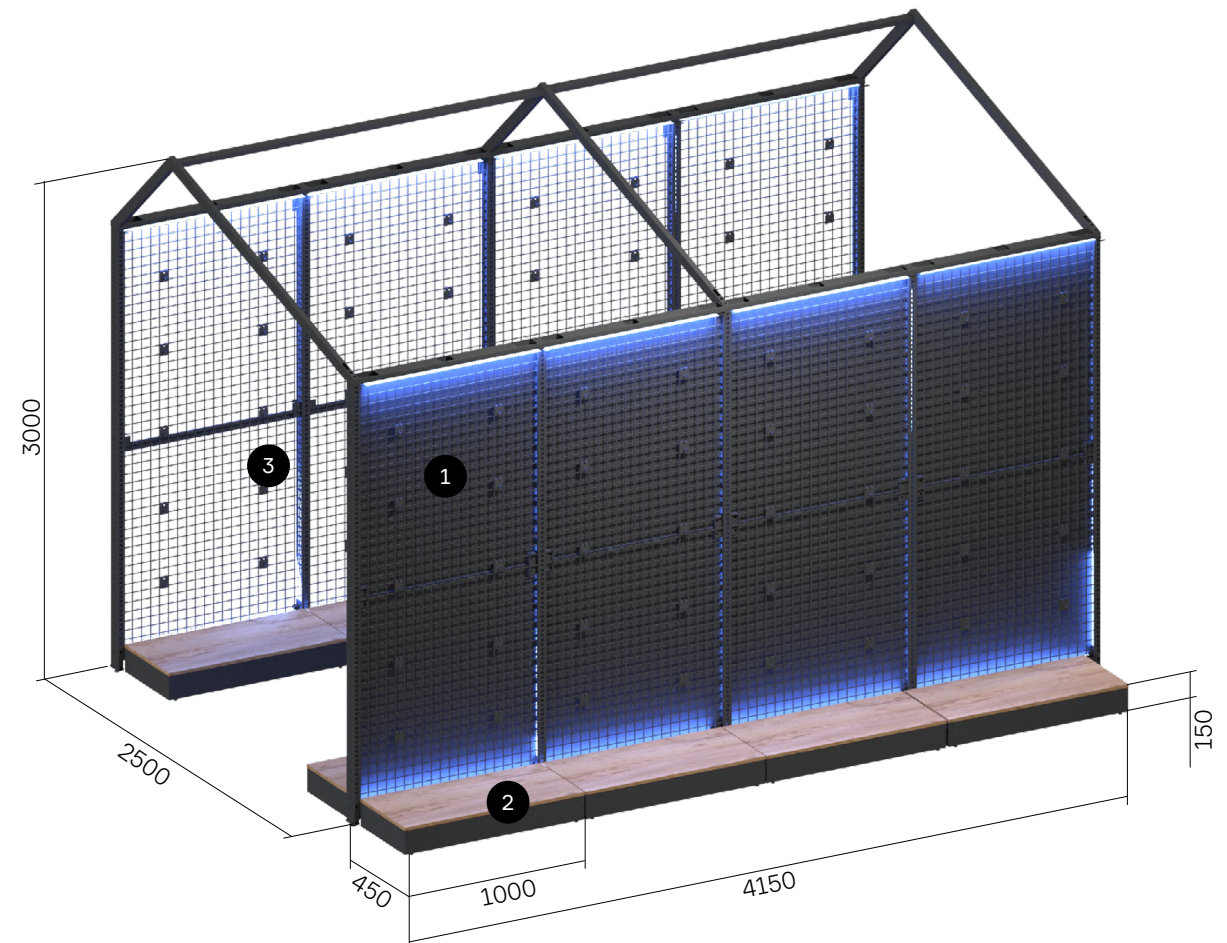
# STANDS FOR BOILERS AND CLIMATE SOLUTIONS (CONDITIONERS, AIR PURIFIER)

[View large photo from object](#)

- Metal frame
- Wire back panel
- Chipboard podium
- RGB LED lighting



- 1 Stand: **1018-543-10**
- 2 Podium: **9945-803-04**
- 3 Hooks: **1021-765-10**



# UNIVERSAL GONDOLA UNITS

[View large photo from object](#)

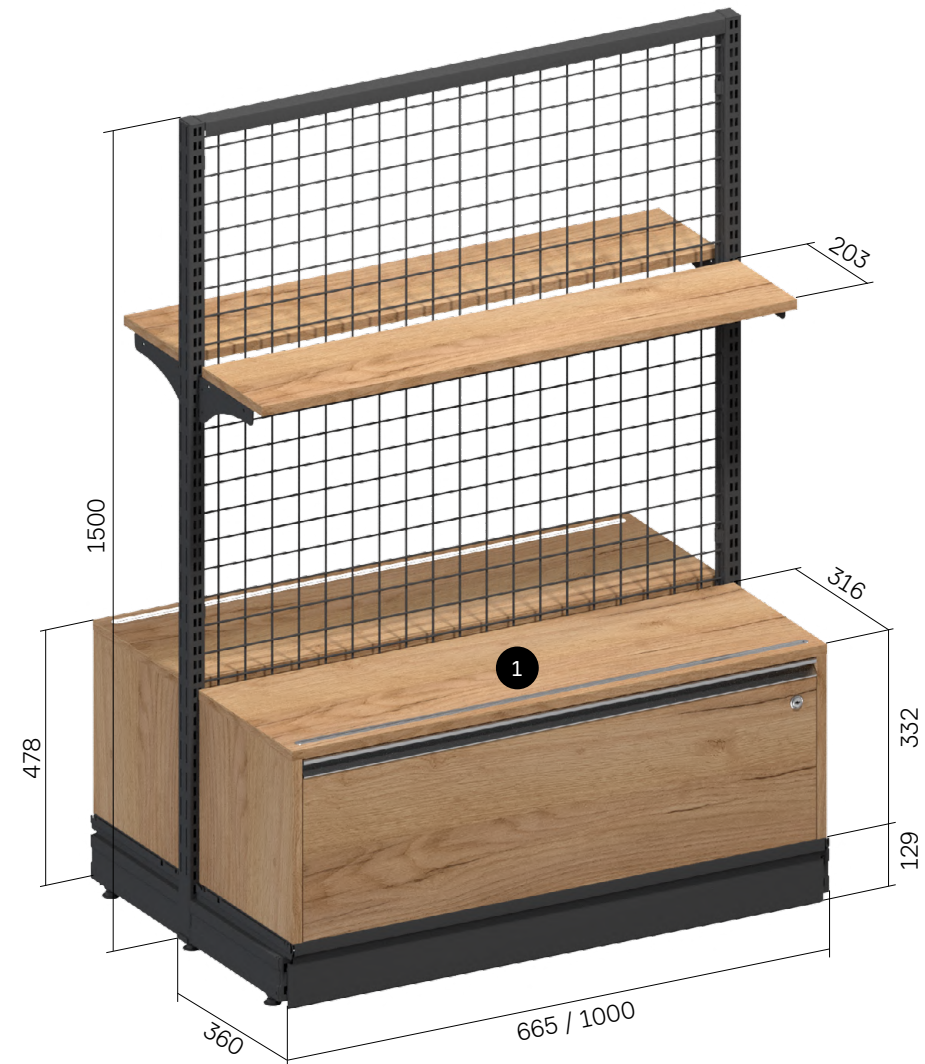
- Metal frame
- Wire middle panel
- Chipboard cabinet with lock
- Chipboard shelves
- Slot for installation of price holders



1 Gondola unit:  
**9945-832-04** (W – 665; D – 700 mm)

Gondola unit:  
**9945-831-04** (W – 1000; D – 700 mm)

End Gondola unit:  
**9945-833-04** (W – 1000; D – 360 mm)



# UNIVERSAL GONDOLA UNITS

- Metal frame
- Chipboard shelves, back panels, podium, gondola cover

1 Gondola unit: articles in price list



# SHELVING FOR STEAM IRON

- Wire 6 mm
- Protective rubber tube
- Quantity in the package 6 pcs

- 1 Left hook for steam iron on the bar 20 40:  
**1025-902-10** (H – 115; W – 200; D – 240 mm)
- 2 Right hook for steam iron on the bar 20 40:  
**1081-149-10** (H – 115; W – 200; D – 240 mm)



# SHELVING FOR BLENDERS

- Wire 6 mm
- Protective rubber tube
- Quantity in the package 12 pcs

1 Hook for blenders on the bar 20 40:  
**1081-146-10** (H – 200; W – 85; D – 370 mm)

Hook for blenders on the bar 15x30:  
**1096-682-10** (H – 200; W – 85; D – 370 mm)



# SHELVING FOR HAIR DRYERS

- Wire 6 mm
- Protective rubber tube
- Quantity in the package 12 pcs

1 Hook for hair dryers on the bar 20x40:  
**1081-153-10** (H – 315; W – 90; D – 200 mm)





# SHELVING FOR HAIR DRYERS

- Wire 6 mm
- Quantity in the package 12 pcs

1 Hook for hair dryers on the bar 20x40:  
**1081-151-10** (H – 50; W – 135; D – 100 mm)

Hook for hair dryers on the bar 20x40:  
**1081-152-10** (H – 50; W – 135; D – 150 mm)

Hook for hair dryers on the bar 15x30:  
**1096-680-10** (H – 50; W – 135; D – 100 mm)

Hook for hair dryers on the bar 15x30:  
**1096-583-10** (H – 50; W – 135; D – 150 mm)



# SHELVING FOR CURLING IRONS

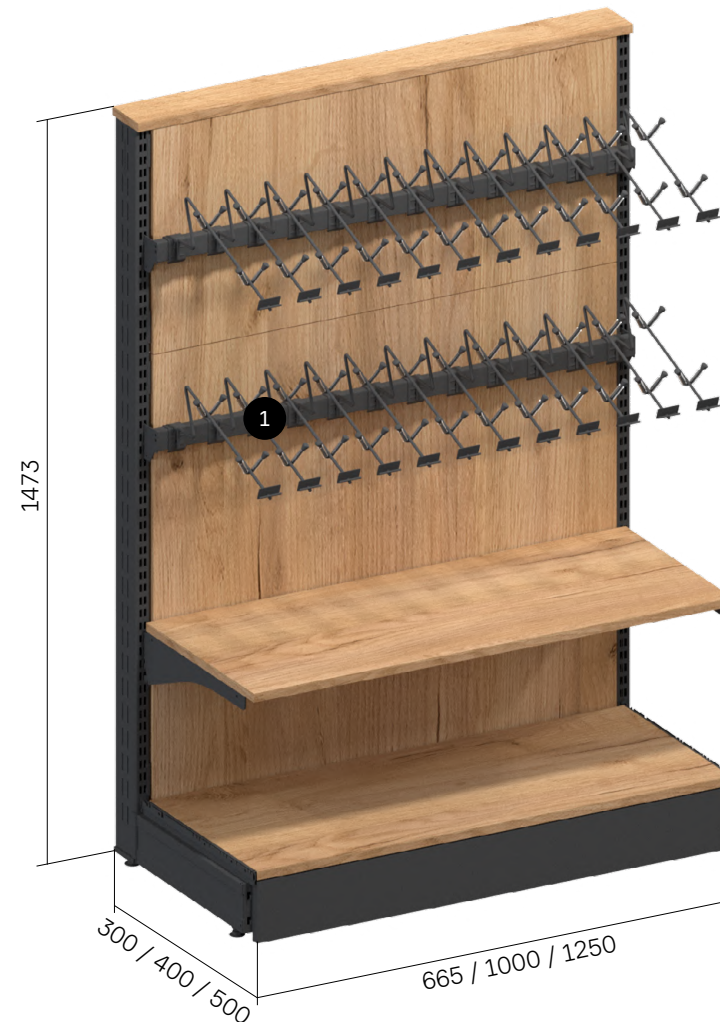
- Wire 6-8 mm
- Protective rubber tube
- Quantity in the package 12 pcs

1 Hook for curling irons on the bar 20x40:  
**1081-148-10** (H – 160; W – 70; D – 320 mm)

Hook for curling irons on the bar 20x40:  
**1081-196-10** (H – 160; W – 70; D – 380 mm)

Hook for curling irons on the bar 15x30:  
**1096-681-10** (H – 160; W – 70; D – 380 mm)

Hook for curling irons  
on perforated back panel:  
**1081-483-10** (H – 160; W – 70; D – 350 mm)



# SHELVING FOR HEADPHONE

- Wire 6 mm
- Quantity in the package 12 pcs

1 Hook for headphone on the bar 20x40:  
**1046-463-10** (H – 70; W – 100; D – 150 mm)

Hook for headphone on the bar 20x40:  
**1081-154-10** (H – 70; W – 100; D – 250 mm)

Hook for headphone on the bar 15x30:  
**1040-363-10** (H – 60; W – 100; D – 150 mm)

Hook for headphone on the bar 15x30:  
**1040-362-10** (H – 60; W – 100; D – 250 mm)

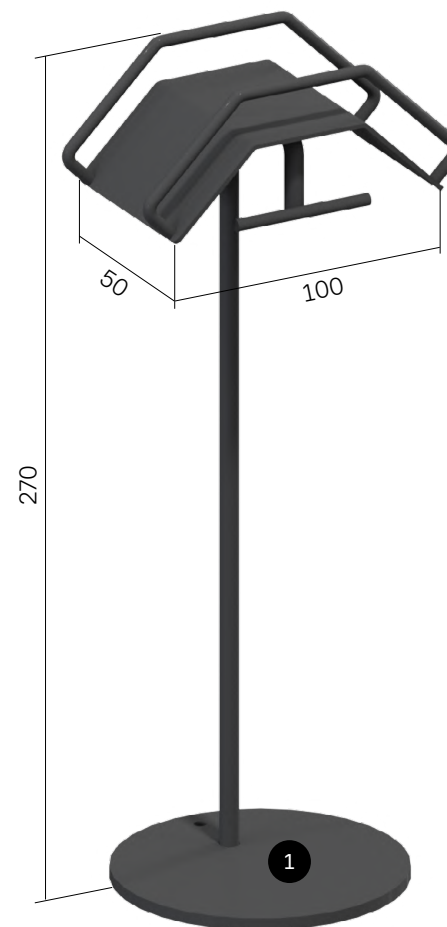
Hook for headphone on perforated back panel:  
**1046-465-10** (H – 60; W – 100; D – 150 mm)



# STAND FOR HEADPHONES ON THE SHELF

- Metal stand

① Stand for headphones:  
**1039-896-10** (H – 270; W – 100; D – 50 mm)



# SHELVING FOR MEDIA

- Metal bookshelves
- Metal back panels
- Metal frame

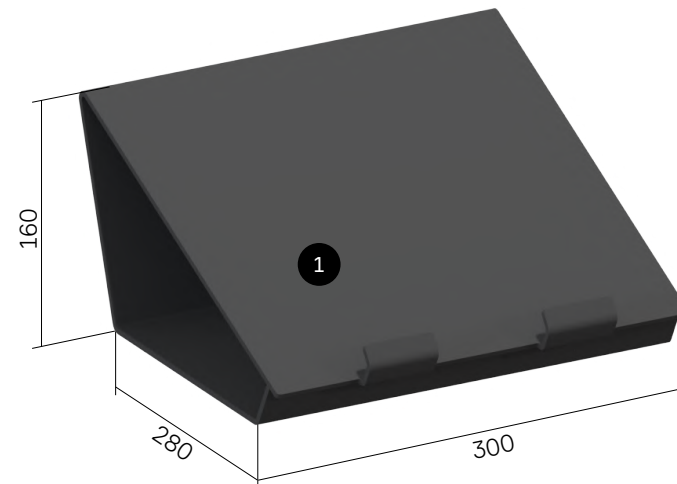
1 Shelving for media: **articles in price list**



# STAND FOR TABLET

- Acrylic stand

① Stand for tablet:  
**1092-109-00** (H – 160; W – 300; D – 280 mm)



# UNIVERSAL WALL UNITS. TYPE 1

- Metal frame
- Chipboard shelves, back panels, podium, gondola cover
- Zinc or painted hooks for bars: 150, 250, 350 mm

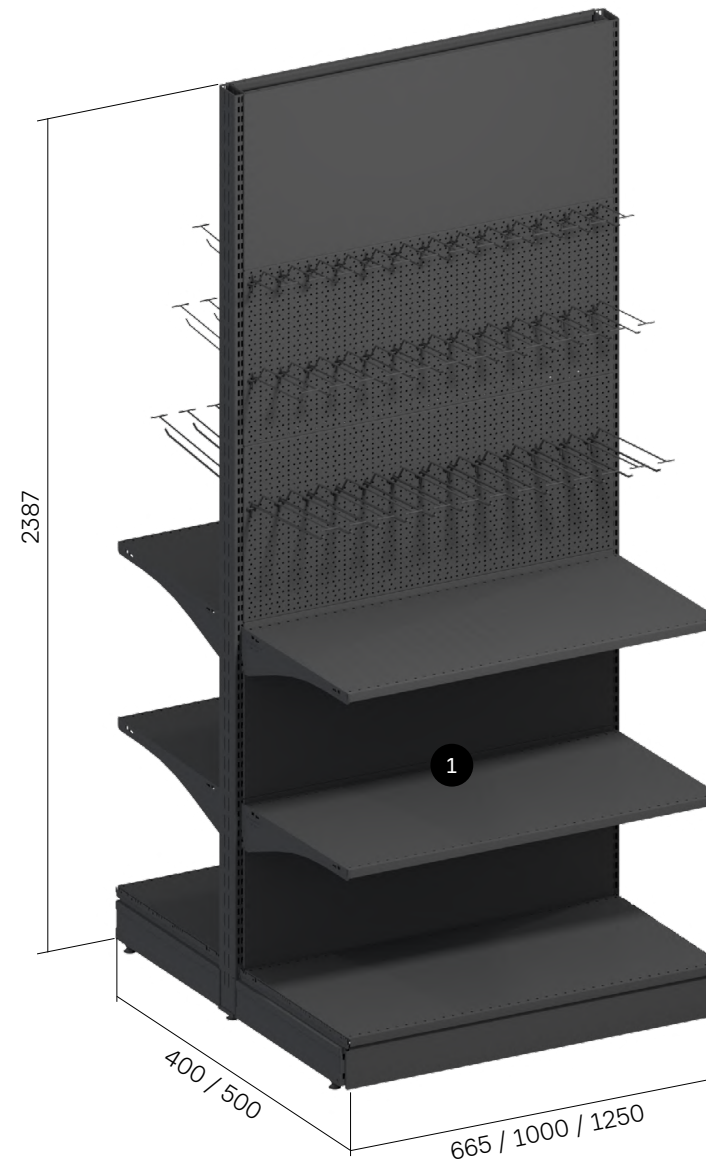
1 Universal wall units. Type 1: **articles in price list**



# UNIVERSAL WALL UNITS. TYPE 2

- Metal frame
- Metal and perforated back panels
- Chipboard shelves, podium, gondola cover
- Zinc hooks for perforated back panel: 150, 250, 350 mm

1 Universal wall units. Type 2: **articles in price list**

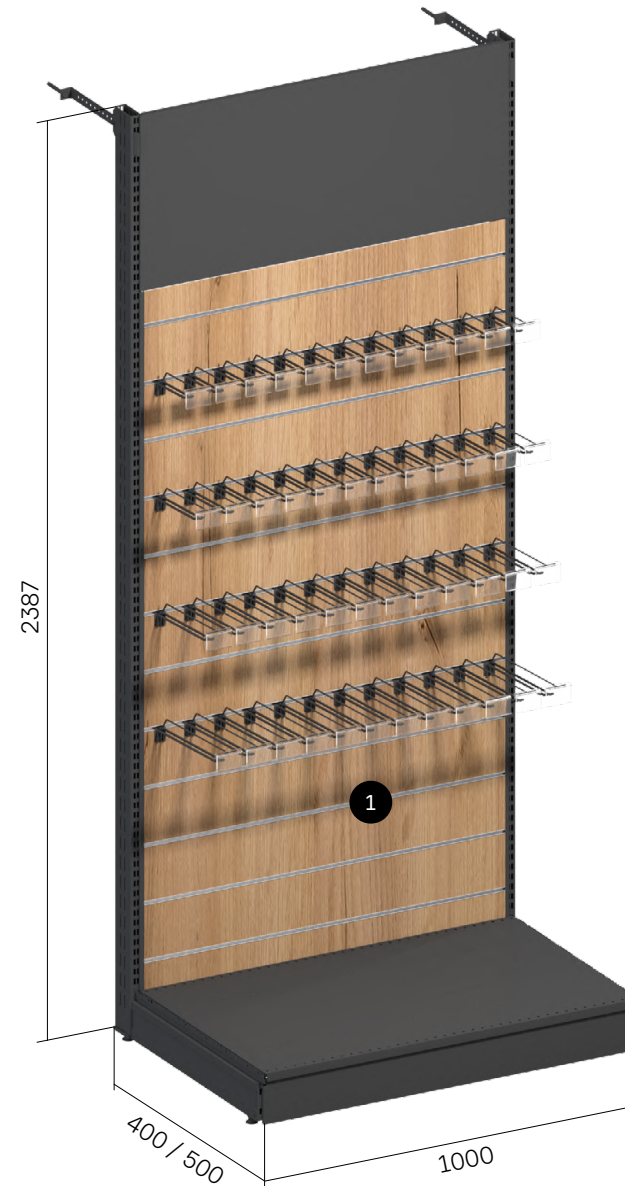




# UNIVERSAL WALL UNITS. TYPE 3

- Metal frame
- Chipboard slatwall
- Chipboard shelves, podium, gondola cover
- Zinc hooks for slatwall: 150, 200, 250, 300 mm

1 Universal wall units. Type 3: **articles in price list**



# SHELVING FOR STICK VACUUM CLEANER

- Wire 4 mm
- Protective rubber tube
- Quantity in the package 6 pcs

1 Hook for stick vacuum cleaner for bar 20x40:  
**1018-491-10** (H – 95; W – 130; D – 150 mm)

Hook for stick vacuum cleaner for bar 20x40:  
**1018-492-10** (H – 95; W – 130; D – 240 mm)

Hook for stick vacuum cleaner for slatwall:  
**1018-493-10** (H – 85; W – 130; D – 500 mm)

Hook for stick vacuum cleaner for slatwall:  
**1018-494-10** (H – 85; W – 130; D – 500 mm)

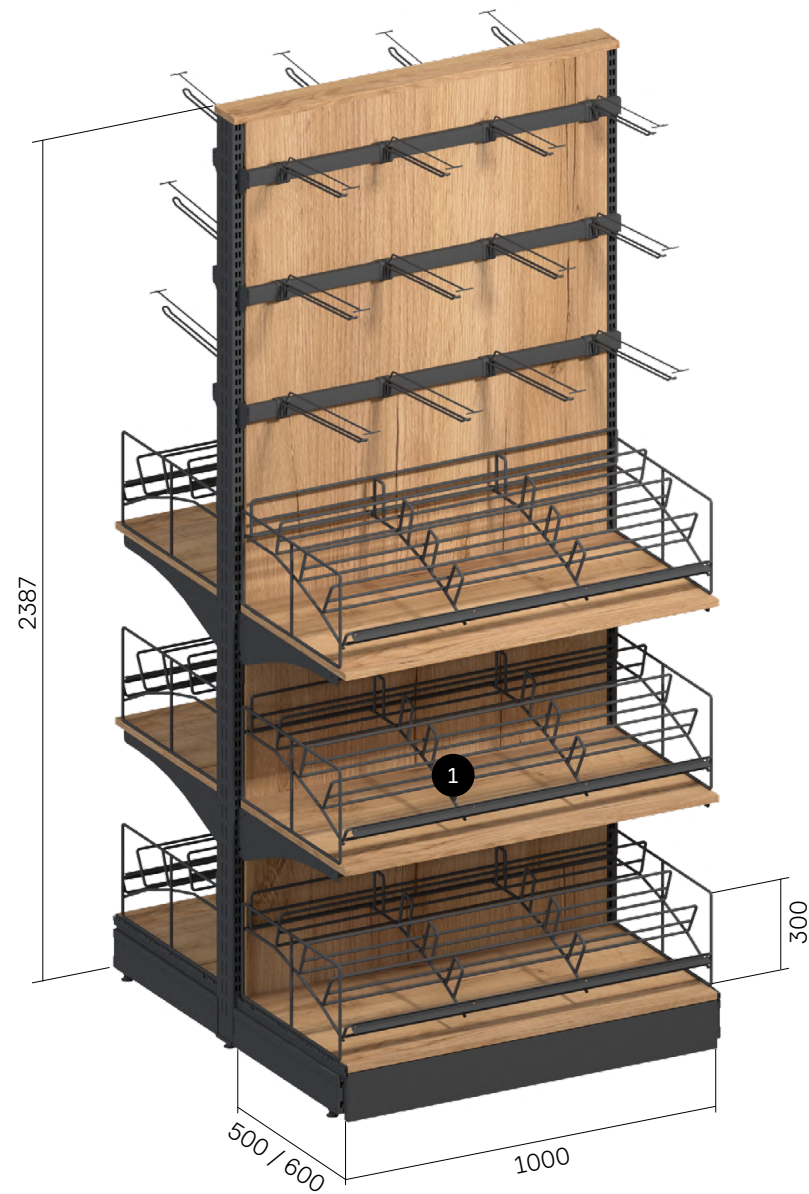


# SHELVING FOR PANS AND LIDS

- Wire frame
- Zinc or painted hooks for bars: 300, 350, 400 mm

1 Stand lids for pans: **1025-637-10** (D – 500 mm)

Stand lids for pans: **1039-895-10** (D – 600 mm)

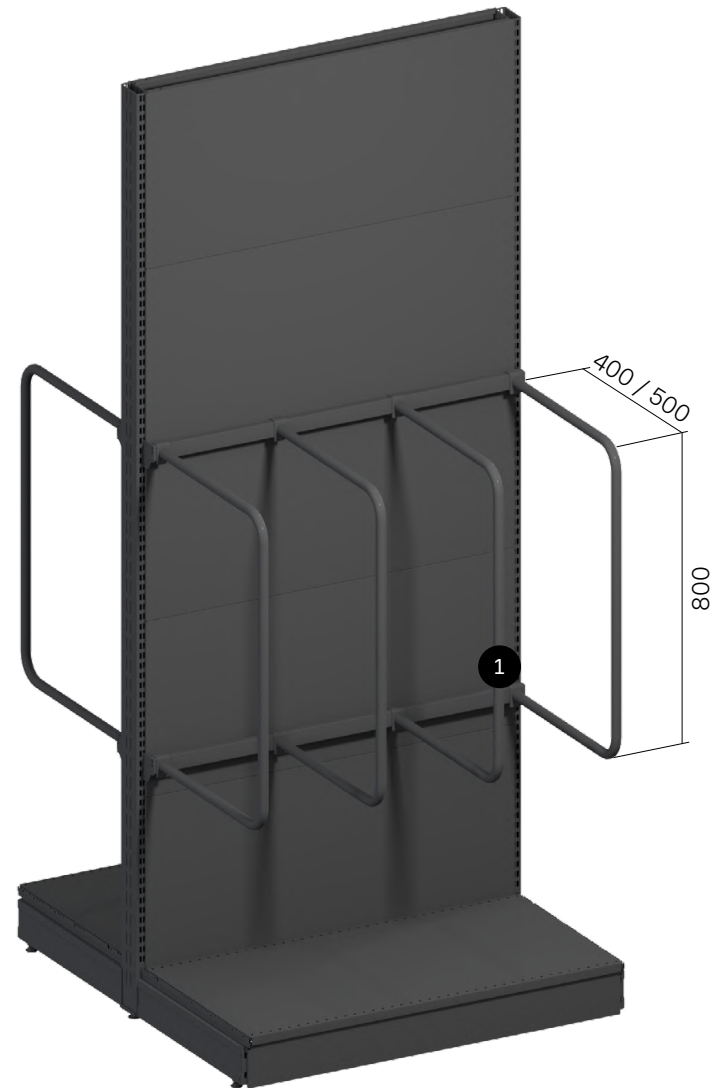


# SHELVING FOR IRONING PLANK

- Tube frame  $\varnothing 25$  mm

1 Separator for bar 20x40:  
**1081-036-10** (D – 400 mm)

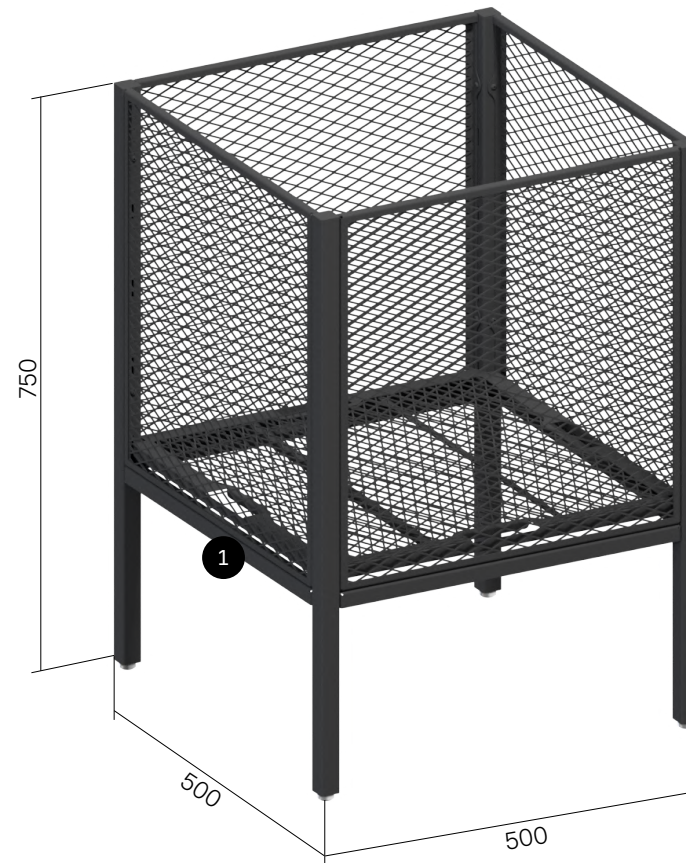
Separator for bar 20x40:  
**1081-037-10** (D – 500 mm)



# UNIVERSAL BASKETS

- Lateral panels from mesh (rhombus 28x13 mm)
- Tube upright
- Adjustable upright inserts
- Powder coating
- 100 Liters capacity

1 Promo basket with mesh lateral panels:  
**9961-797-10**



# UNIVERSAL BASKETS

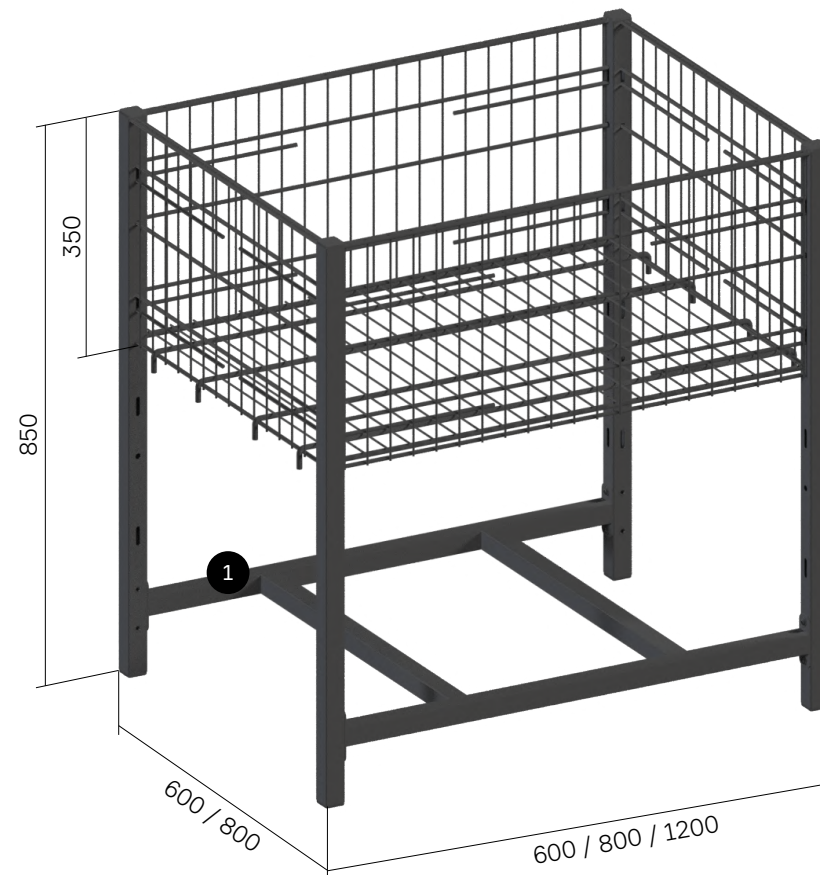
- Tube base (upright)
- 6 Mm wire lateral panels
- Adjustable upright inserts
- Zinc or chrome
- 100-290 Liters capacity

1 Promo basket with high base:  
**1024-856-33** (W – 600; D – 600 mm)

Promo basket with high base:  
**1024-854-33** (W – 800; D – 600 mm)

Promo basket with high base:  
**1024-860-33** (W – 1200; D – 600 mm)

Promo basket with high base:  
**1024-855-33** (W – 1200; D – 800 mm)

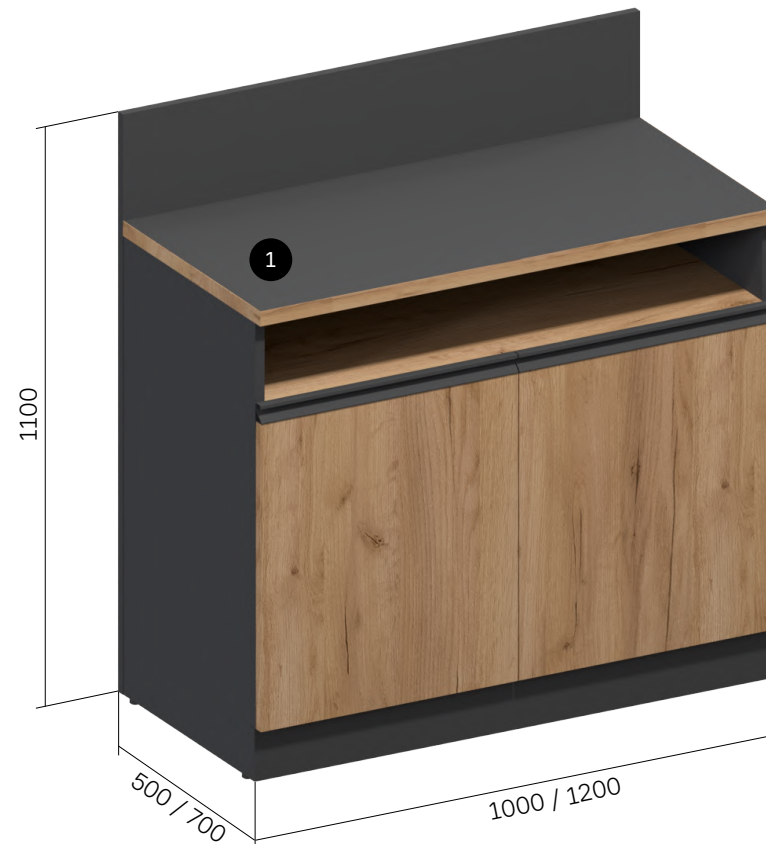


# TABLE FOR QUALITY CONTROL

- Chipboard table
- Open doors

① Rectangular table:  
**1022-409-10** (W – 1000; D – 500 mm)

Rectangular table:  
**1022-410-10** (W – 1200; D – 700 mm)

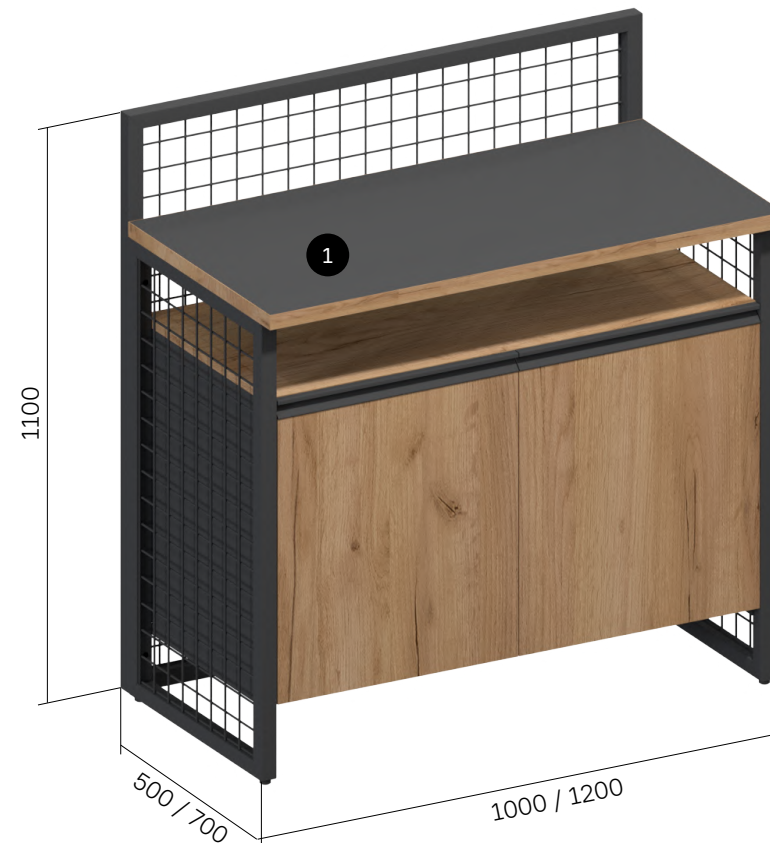


# TABLE FOR QUALITY CONTROL

- Chipboard table
- Wire sidewalls and back panel in tube frame 30x30 mm
- Open doors

1 Rectangular table:  
**1031-137-10** (W – 1000; D – 500 mm)

Rectangular table:  
**1031-138-10** (W – 1200; D – 700 mm)

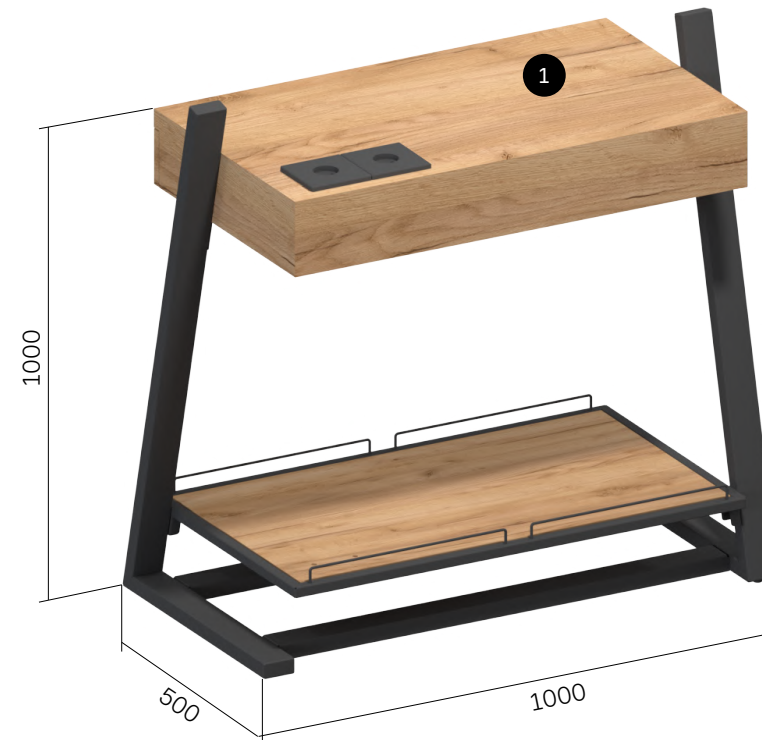




# TABLE FOR QUALITY CONTROL

- Tube frame 60x30
- Table of chipboard
- Chipboard shelf with barriers
- Socket, 2 pcs

1 Table: 9945-835-04



# WORK STAND FOR STAFF

- Tube frame 60x30
- Chipboard table and back panel
- Chipboard cabinet
- Open door

1 Stand for staff: **9945-821-04**



# WORK STAND FOR STAFF

- Tube frame 60x30
- Chipboard table
- Wire back panel
- Chipboard cabinet
- Open door

1 Stand for staff: **1031-076-10**



# CUSTOMERS SERVICE TABLES

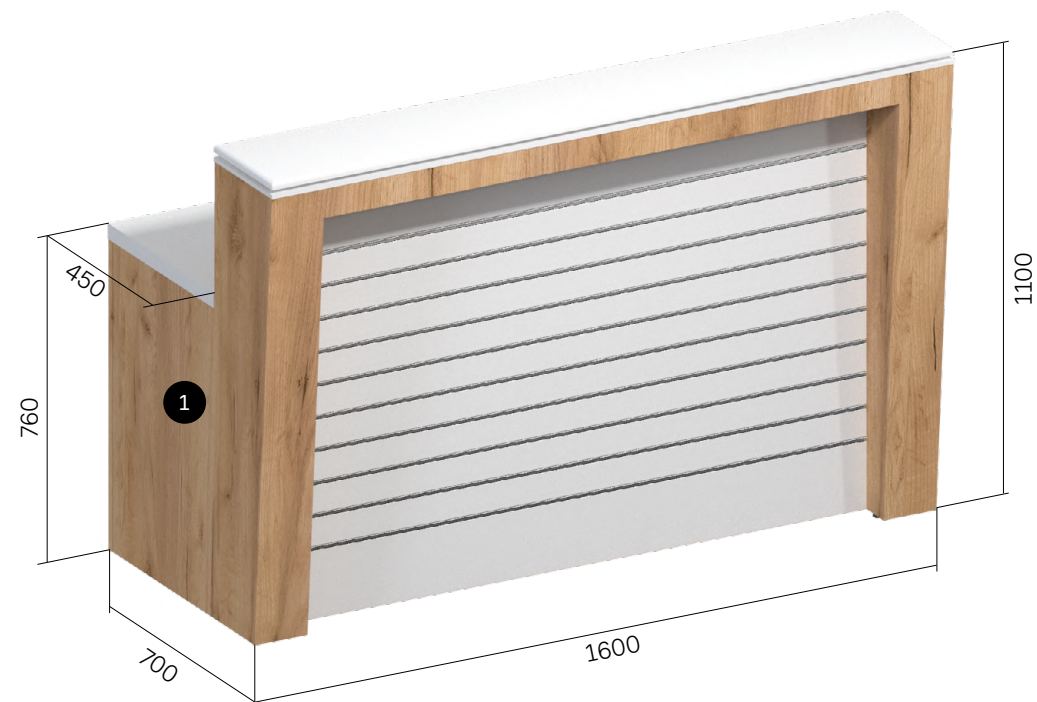
[View large photo from object](#)

- Tabletop of painted MDF
- Chipboard table
- Chipboard slatwall for cross-selling
- Drawer with lock



1 Rectangular table: **9945-816-04**

Single hook with price-holder, zinc:  
**1044-549-33** (D – 100)



# CUSTOMERS SERVICE TABLES

- Tabletop of chipboard
- Chipboard table
- Drawer with lock
- Socket, 2 pcs

1 Rectangular table: **9945-836-04**



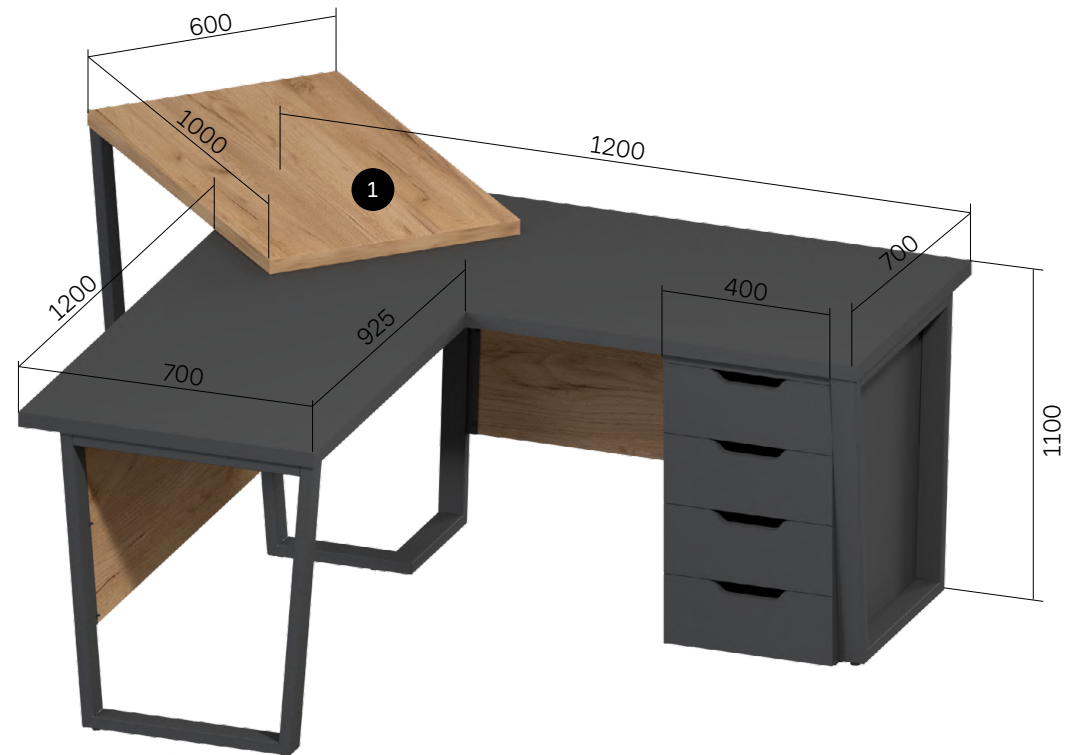
# CUSTOMERS SERVICE TABLES

[View large photo from object](#)

- Tube frame 60\*30
- Tabletop of chipboard
- Chipboard drawer without lock



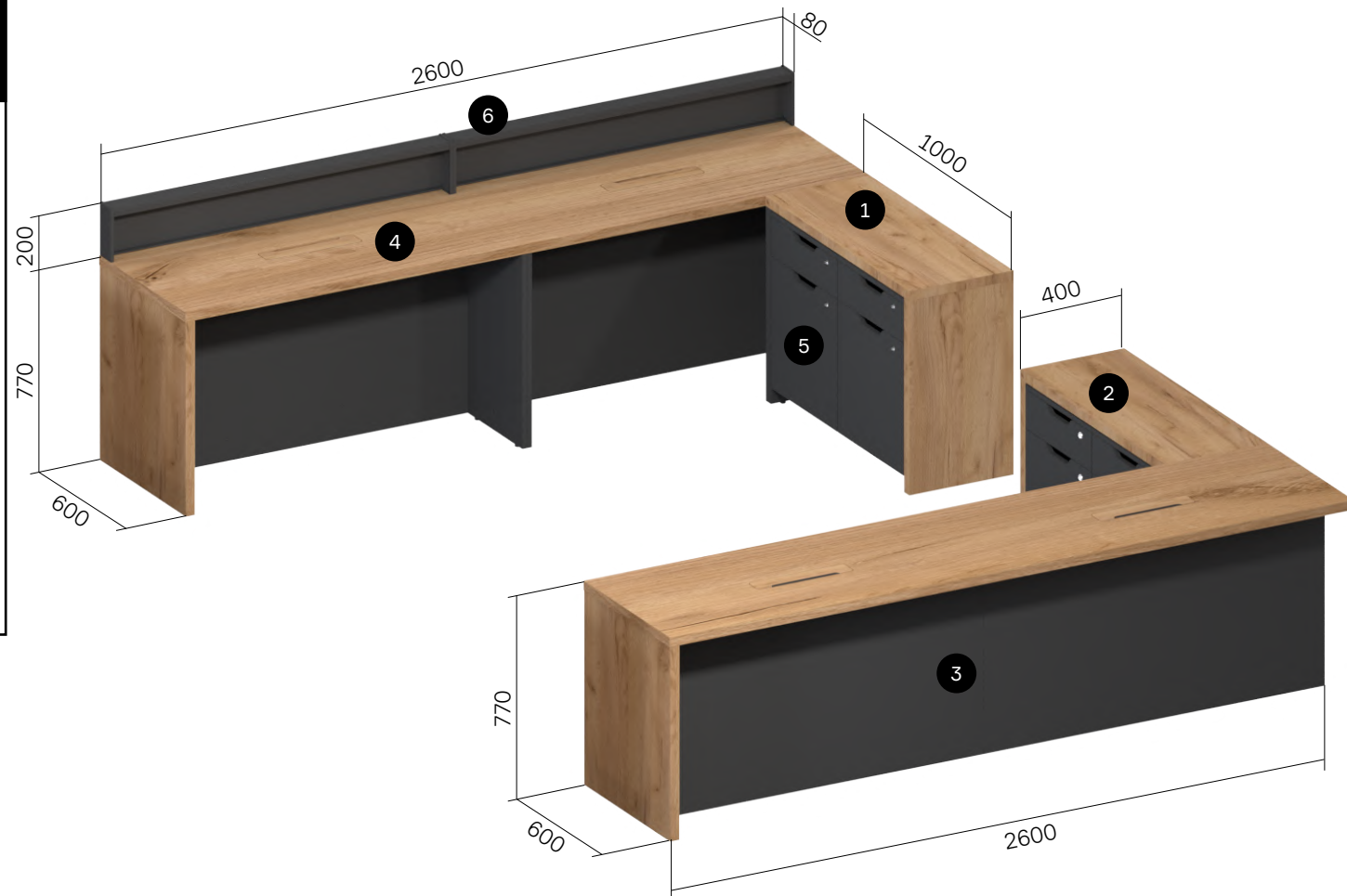
1 Rectangular table: 9945-837-04



# CUSTOMERS SERVICE TABLES

- Tabletop of chipboard
- Chipboard table
- Drawer with lock
- Extension from mesh (rhombus 20x11 mm)

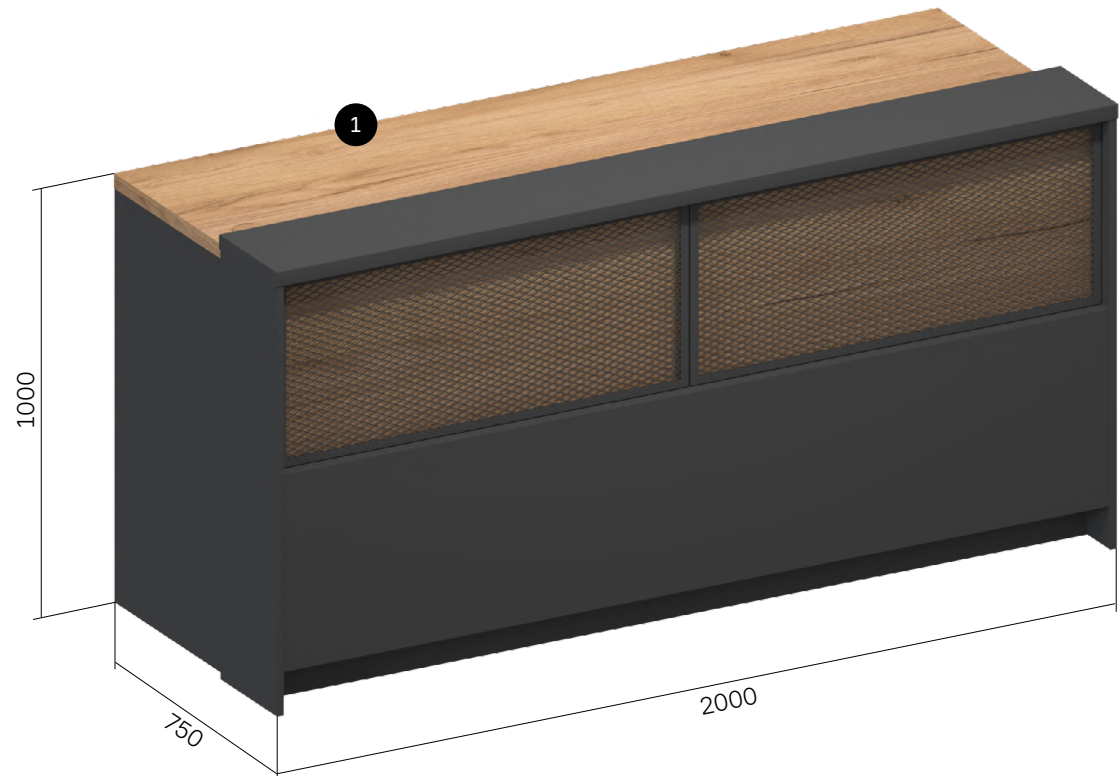
- 1 Rectangular table: **1023-543-00**
- 2 Rectangular table: **1023-544-00**
- 3 Rectangular table: **1023-566-10**
- 4 Rectangular table: **1023-567-10**
- 5 Table on wheels: **1023-531-00**  
(H – 730; W – 460; D – 380 mm)
- 6 Extension for the table: **1031-045-10**



# CUSTOMERS SERVICE TABLES

- Tabletop of chipboard
- Chipboard table
- Drawer with lock
- Extension from mesh (rhombus 20x11 mm)

1 Rectangular table: **9961-913-10**





**MODERN EXPO**

Head Office

Modern Expo

Lutsk, Ukraine

T +380 (332) 78 95 00

info@modern-expo.com

modern-expo.eu



Office in Poland  
Lublin  
T +48 (81) 744 50 50  
biurohandlowe@modern-expo.pl

Office in Germany  
Berlin  
T +49 (0) 30 417 44 603  
officeberlin@modern-expo.de

Office in France  
Antony  
T +33 (7) 67 03 03 35  
contact@modern-expo.com

Office in UK  
London  
T +44 7950 697 143  
uk.sales@modern-expo.com

Office in the Middle East  
Dubai, UAE  
T +971 568 150 070  
uae@modern-expo.com